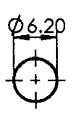
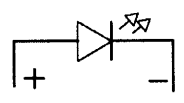
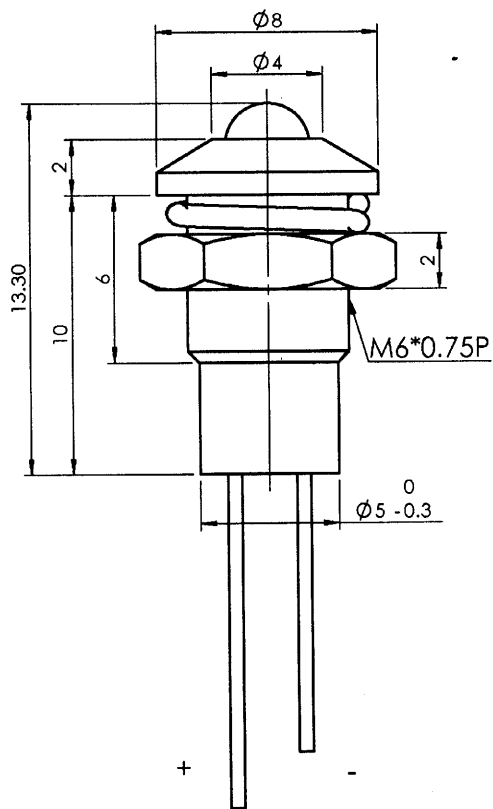
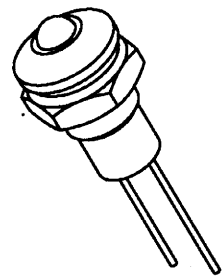
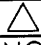


Led Color	Lens Color	Vf	If	Viewing Angle	Mcd	Mounting Hole	Circuit Diagram
Yellow	Yellow diffused	2.1V	20mA	50°	40	 Panel Thickness: 3.5 max	
Insulation Resistance		DC500V 100M OHM Min					
Dielectric Strength		AC500V 1Minute					
Operation Temperature		-25°C~+85°C					



Remark:
1. LED Type: $\phi 3\text{mm}$
2. Unless Otherwise Specified
All Tolerances To Be ± 0.2
3. ROHS Compliant

Date	Name	Descriptions				
Drawn	Checked	Approved	SCI No.	Model Name	LED Indicator light	
鍾運穎	研發部		Customer No.	Model No.	R9-103L-12-YD	
07.04.07'	李元生		Unit	mm	© SHIN CHIN INDUSTRIAL CO., LTD.	