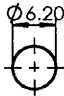
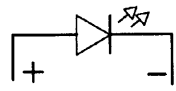
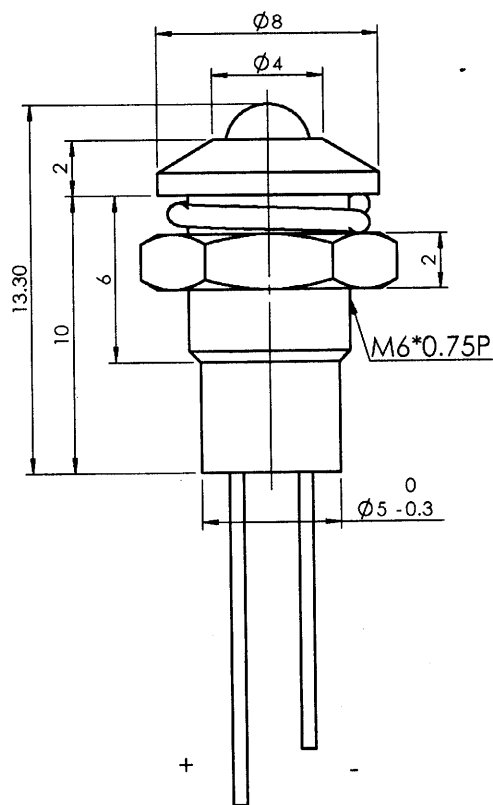
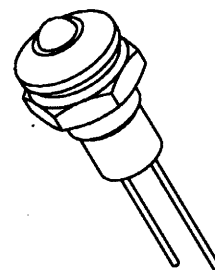


Led Color	Lens Color	VF	IF	Viewing Angle	Mcd	Mounting Hole	Circuit Diagram
White	White diffused	3.6V	20mA	50°	700	 Panel Thickness: 3.5 max	
Insulation Resistance		DC500V 100M OHM Min					
Dielectric Strength		AC500V 1Minute					
Operation Temperature		-25°C~+85°C					



- Remark:
1. LED Type:  $\phi 3\text{mm}$
  2. Unless Otherwise Specified  
All Tolerances To Be  $\pm 0.2$
  3. ROHS Compliant

Date	Name	Descriptions				NO
Drawn	Checked	Approved	SCI No.	Model Name	LED Indicator light	
鍾運穎	研發部 2007-7-5 李元生		Customer No.	Model No.	R9-103L-12-WD	
07.04.07'			Unit	mm	SHIN CHIN INDUSTRIAL CO., LTD.	