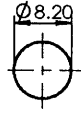
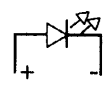
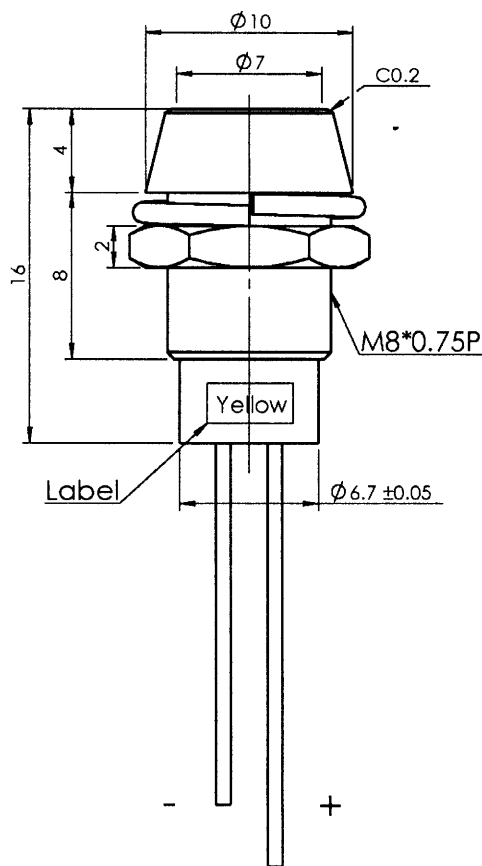
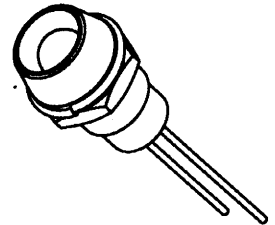


Led Color	Lens Color	VF	IF	Viewing Angle	Mcd	Mounting Hole	Circuit Diagram
Yellow	Water Clear	2.0V	20mA	15°	200		
Insulation Resistance		DC500V 100M OHM Min					
Dielectric Strength		AC500V 1 Minute					
Operation Temperature		-25°C~+85°C					
						Panel Thickness: 5.0 max	



Remark:

1. LED Type:  $\phi$  5mm
2. Unless Otherwise Specified  
All Tolerances To Be  $\pm 0.2$
3. ROHS Compliant

Date	Name	Descriptions				$\Delta$
Drawn	Checked	Approved	SCI No.	Model Name	LED Indicator Light	NO
鍾運穎	研發部		Customer No.	Model No.	R9-104L-12-Y	
06.18.'07	李元生		Unit	mm	SHIN CHIN INDUSTRIAL CO., LTD.	