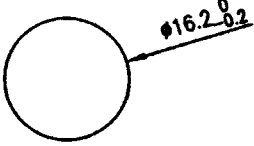
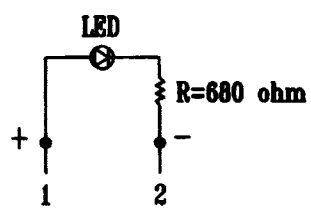
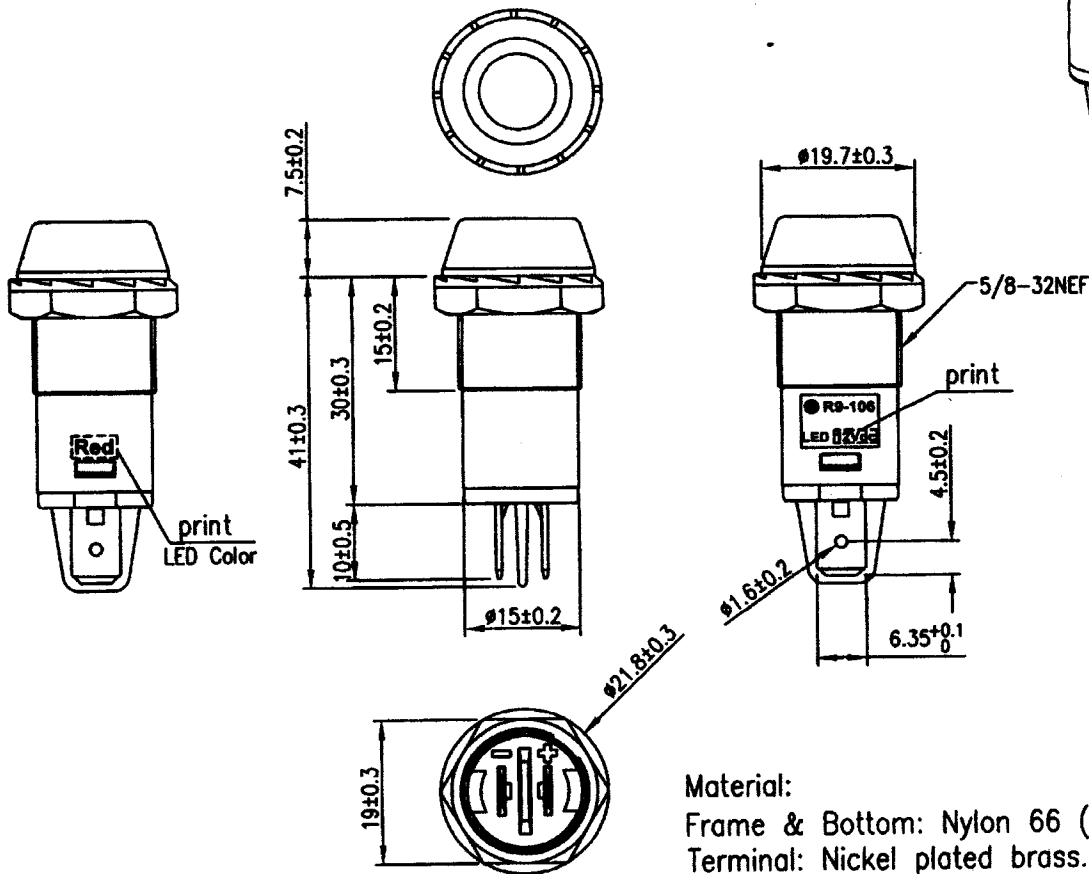
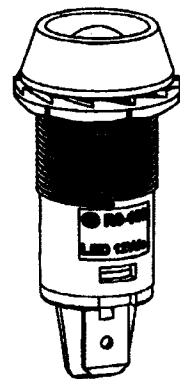

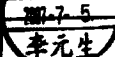


Rating	12V DC 20mA		
Insulation Resistance	DC 500V 100M ohm Min		
Dielectric Strength	AC 1500V 1 minute		
Operation Temperature	-20°C~+85°C		
		Panel Thickness:0.5~9.0	

LED Color	LED Lens Color	VF	IF	View Angle	Mcd
Red	White diffused	2.4V	20mA	110°	250
Amber	White diffused	2.4V	20mA	120°	200
Green	White diffused	3.9V	20mA	120°	700
Blue	White diffused	3.8V	20mA	120°	300
White	White diffused	3.8V	20mA	150°	500



Material:
 Frame & Bottom: Nylon 66 (94V-2).
 Terminal: Nickel plated brass.
 LED: $\phi 10.0$ diffused.
 Nut: Plastic.

									△
									△
									NO
Date	Name	Description			Model Name	LED Indicator			
Drawn	Checked	approved	SCI No.		Model No.	R9-106L1-01 series			
C.J.Chan			Customer No.						
6/15/'07			Unit	mm	