

FS-01

Flow Switch

FS Series

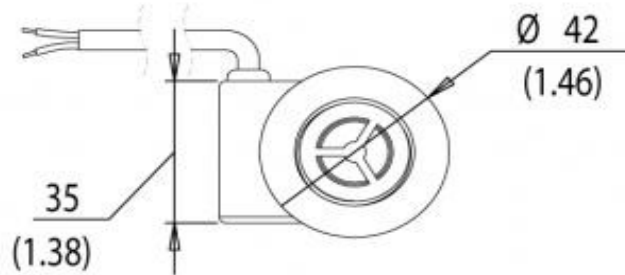
3/4" BSP male and female threads
 Suitable for hot and cold potable water
 Reed Switch Reliability (UL File E153493)
 Meets UL 94-HB flammability rating
 Easy installation



The FS-01

From our range of flow switches sensors which offer design engineers reed switch reliability with Triac load for AC switching. The design allows for sensing in line flow of liquid or air.

dimensions

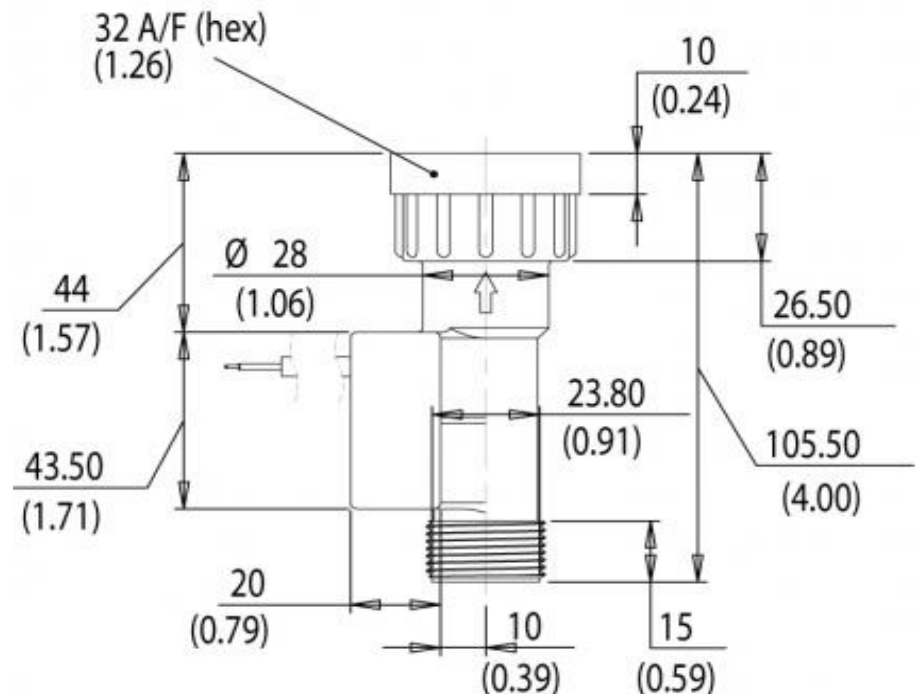


FEATURES

- Rugged high grade Noryl
- Minimum pressure drop
- Operates from a small head of water
- Vertical mount +/-15°
- Suitable for water and air flow switching

APPLICATIONS

- Mains water control
- Power shower
- Central heating systems
- Circulation pump protection
- Cooling systems



performance specifications

Material, Design and Operation

Mounting	Vertical, flow upwards
Housing Material	Noryl
Housing Colour	Black
Fitting	In Line
Contact Form	A
Contact Material	Triac
Maximum Switching Volts (VAC)	250
Maximum Switching Volts (VDC)	N/A
Maximum Switching Current (Amp)	3
Maximum Power (Watt)	
Connection Type	Stripped Cables
Cable Type	0.5MM2 BS6500 PVC
Cable Length	1 x 1.0M double insulated
Cable Colour	White outer Blue/Brown inner
Operate Flow Rate (L/min)	1.0 +/- 0.5
Operate Temperature Range	-30°C to +85°C
Medium/Liquid	Water
Sealing Component	Washer
Mounting Shock	50g for 11mS duration
Operate Mode	N/O, close with Flow
IP Rating	IP65

The information in this sheet has been carefully reviewed and is believed to be accurate; however, no responsibility is assumed for inaccuracies. Furthermore, this information does not convey to the purchaser of such devices any license under the patent rights to the manufacturer. Measurement Specialties, Inc. reserves the right to make changes without further notice to any product herein. Measurement Specialties, Inc. makes no warranty, representation or guarantee regarding the suitability of its product for any particular purpose, nor does Measurement Specialties, Inc. assume any liability arising out of the application or use of any product or circuit and specifically disclaims any and all liability, including without limitation consequential or incidental damages. Typical parameters can and do vary in different applications. All operating parameters must be validated for each customer application by customer's technical experts. Measurement Specialties, Inc. does not convey any license under its patent rights nor the rights of others.

ordering info

The FS-01 is from our FS Series of Flow Switches.

The Series is available in alternatives with a number of standard options including:

- Housing materials
- Load switching
- Maximum load switching abilities
- Installation axis
- Connection threads
- Operate flow rates

Please see the FS Series part number tree.