

FLOW SWITCH

FCS Series - Flow Switch in Polyphenelene

FCS-03

Design Features

- Polyphenelene Material
- Minimal pressure drop
- Operates from a small head of water
- Mount in any axis
- Suitable for water and air flow switching



Product Comments

- 3/8 inch BSP male threaded fittings
- Suitable for hot and cold potable water
- Reed Switch reliability
- Food grade material
- Easy installation

Typical Applications

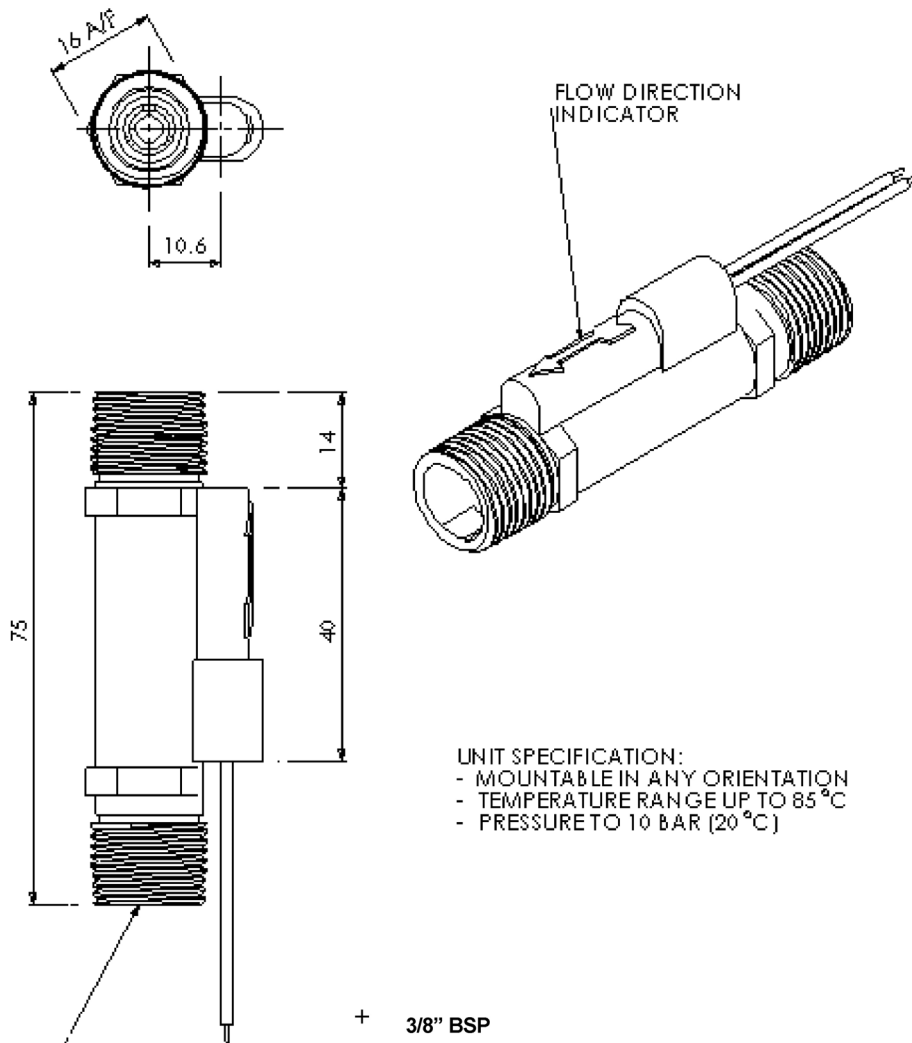
- Boiling Water
- Circulating Pump Protection
- Central Heating Systems
- Flow sensing
- Cooling systems

Material, Design and Operation

Mounting:	Flow Switch Vertical or Horizontal
Material:	Polyphenelene
Fitting	Flow Switch 3/8"BSP
Contact Form:	Form A -SPST
Contact Material:	Ruthenium
Maximum Watts	15 Watts
Maximum Switching Volts:	250 VAC
Maximum Switching Current:	1.0 A
Cable Type:	2 x 22AWG, 16/0.2mm PVC insulated 0.5m long to UL/CSA/BS6361
Cable Colour:	Black/Black
Operating Temperature Range:	100 °C
Medium/Liquid:	Fuels & Oils , Solvents, Organic , Boiling Water , Acids, Organic , Drinking Water (Potable Water) , Deionised Water , Acids, Inorganic , Alcohols , Water
Flow Rate:	0.5 litres/min
Operating Pressure:	10 BAR
Mounting Shock:	50g for 11ms duration
Mounting Vibration:	35g up to 500Hz
Approvals:	Meets UL 94-HB flammability rating

Line Drawing

FCS-03



Installation

- Pipework to be cut square and burr free
- Compression fitting mating connectors to be of suitable quality.
- The installation should be checked to ensure that no leaking is evident.
- Pipework/connector alignment imperative (avoiding bending stress).