



Switching, Sensing and Control Solutions

from GENTECH INTERNATIONAL LTD

Grangestone Industrial Estate, Girvan, Ayrshire KA26 9PS, United Kingdom

Telephone: +44 (0) 1465-713581. Fax: +44 (0) 1465 714974

Email: sales@gentech-international.co.uk

Website: gentech-international.co.uk

LCS SERIES

COMPACT LIQUID LEVEL SENSORS



DESIGN FEATURES

- High or low level sensing
- Normally open or normally closed operation by rotation through 180°
- Acetal copolymer housing with polypropylene float
- External fit
- Rapid push fit installation
- Sealing grommet suitable for a wide range of chemicals
- Reed switch reliability
- Temperature range up to 60°C
- Minimum SG 0.80
- Seal Pressure up to 5 P.S.I.
- Integral Connector or Flying Leads

Operational Characteristics

Contact Configuration	LCS-01 SPST	LCS-02 SPST	
	Volts DC	100	24
	Volts AC	250	-
Maximum (Resistive load) Switching	Amps	1.0	1.0
	Watts	15	15
Minimum withstand across open contacts	Volts	600	100
Initial Contact resistance	Ohms	0.25	0.25

The above contact ratings are for resistive loads. For inductive, capacitive and tungsten filament lamp loads refer to the circuit protection notebook.

Environmental Specifications

Housing and Float Material

Acetal copolymer housing
Polypropylene Float
EPDM sealing grommet

Operating Temperature

-30° to +60°C

Detailed chemical resistance information for specific liquids is available on request.

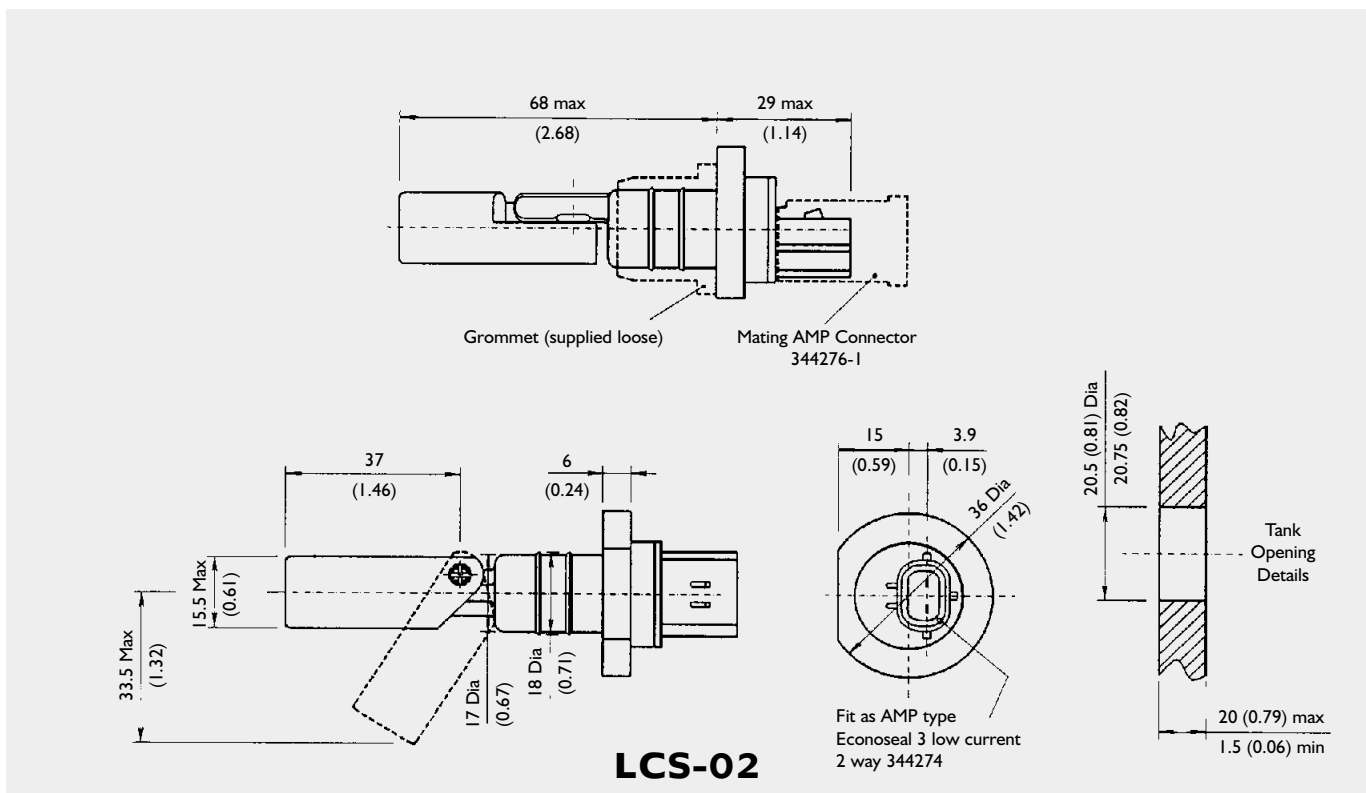
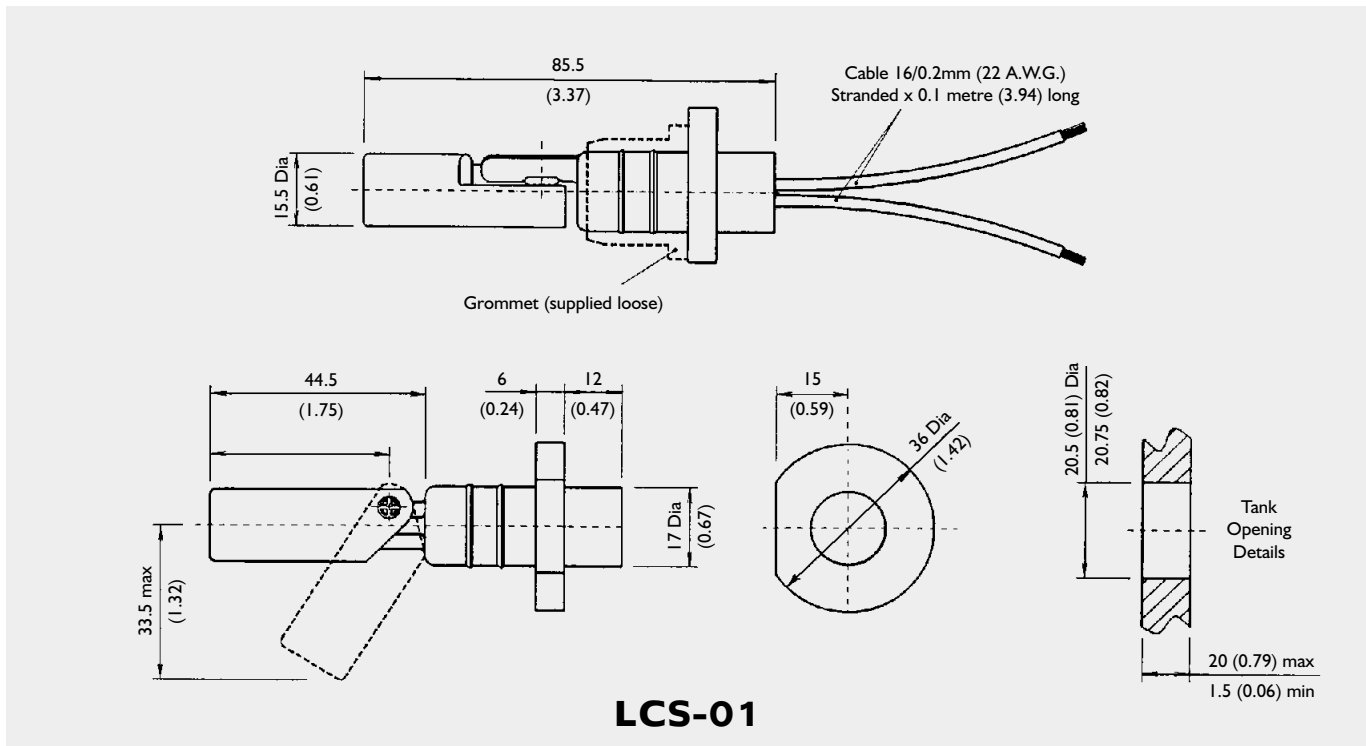
Mechanical Specification

Mounting Position	Operate Window	Release Angle	Shock	Vibration
± 15° from horizontal	When float is horizontal	When float is at full travel	50g for 11ms duration (reed switch only)	35g up to 500Hz (reed switch only)

Electrical Connections

LCS-01 is fitted with 2 x 0.1 metres of 22 AWG, 16/0.2mm stranded, with PVC insulation.

LCS-02 is fitted with an integral AMP connector, to make connection use the appropriate kit.



Connection Kits

- CA-00 connector kit
- CA-01 connector assembly with 1 metre of automotive cable
- CA-02 connector assembly with 1 metre of UL cable

Installation

Please contact Sales at Gentech for installation instructions (Ref. FI-0500-R1)

Applications

Please contact Sales at Gentech for applications relating to this product group.



GENTECH INTERNATIONAL LTD
 Grangestone Industrial Estate, Girvan, Ayrshire KA26 9PS, United Kingdom
 Telephone: +44 (0) 1465-713581. Fax: +44 (0) 1465 714974
 Email: sales@gentech-international.co.uk
 Website: gentech-international.co.uk