



Switching, Sensing and Control Solutions

from GENTECH INTERNATIONAL LTD

Grangestone Industrial Estate, Girvan, Ayrshire KA26 9PS, United Kingdom

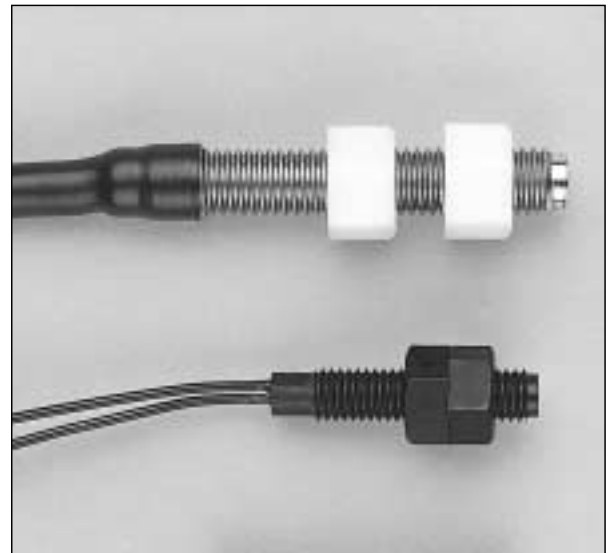
Telephone: +44 (0) 1465-713581. Fax: +44 (0) 1465 714974

Email: sales@gentech-international.co.uk

Website: gentech-international.co.uk

PS8 SERIES

POSITION SENSOR



DESIGN FEATURES

- Normally open switching
- Sealed to IP67
- 316 Stainless Steel or Nylon 6.6 construction
- Adjustable internal fit
- M10 x 1.5 threaded and M8 x 1.25 housings
- Robust with high chemical resistance
- Reed switch reliability
- Temperature range up to 120°C
- Adjustable to suit varying wall thickness and protrusions
- PM8 actuation magnet available

The Gentech PS8 Series sensors are cylindrical threaded devices available in two package styles - stainless steel and Nylon 6.6. The twin locknut allows for both field adjustment to the target magnet and through-panel mounting. Compatible PM8 magnets are available.

Operational Characteristics

Switch Option		01
Contact Configuration		SPST(NO)
Contact ratings		
Maximum (resistive loads)	Volts DC	100
	Volts AC	250
	Amps	1.0
	Watts	15
Minimum withstand across open contacts	Volts	800
Initial contact resistance	Ohms	0.25

The above contact ratings are for resistive loads. For inductive, capacitive and tungsten filament lamp loads refer to the circuit protection notebook.

TYPICAL APPLICATIONS

- Security switches
- Interlocked switches
- Pulse generation
- Position indicators
- Materials handling

Environmental Specifications

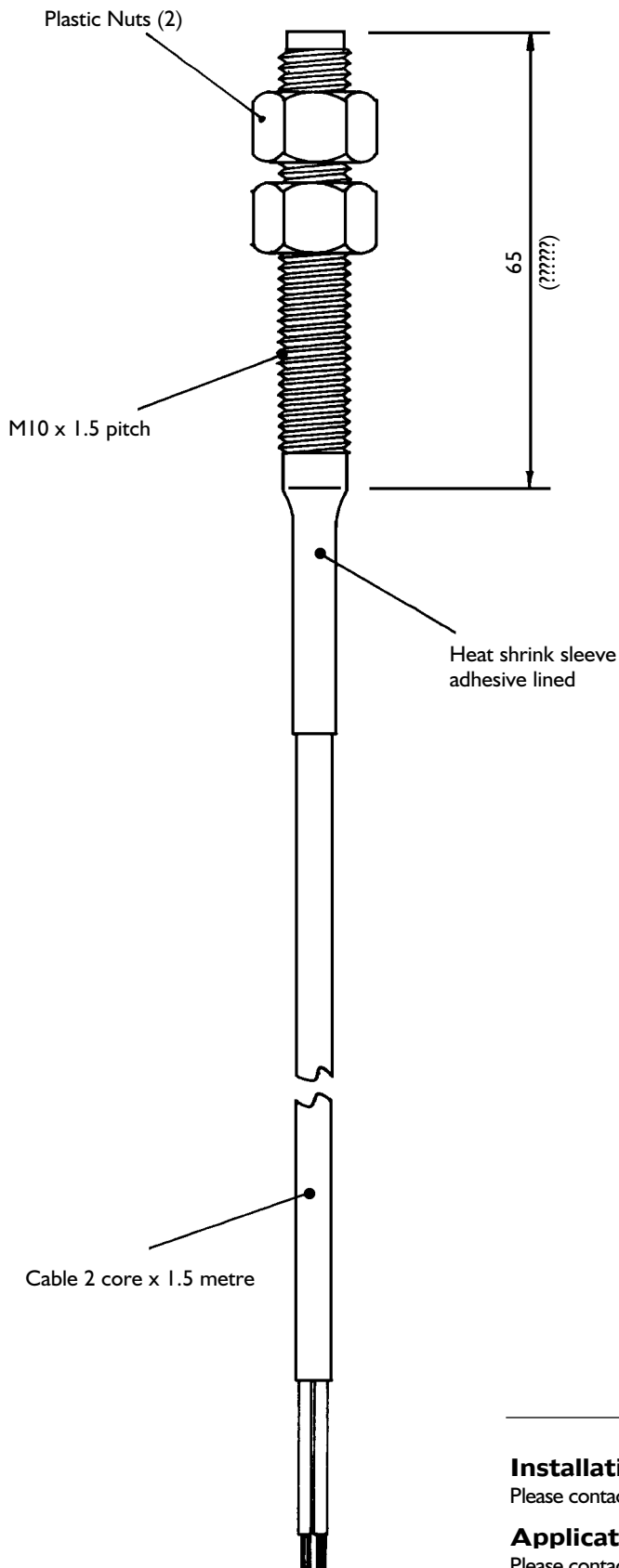
Temperature Range	Operate and Storage
Sensor	-30° to +120°C
Cable Insulation	-30° to +70°C

Electrical Connections

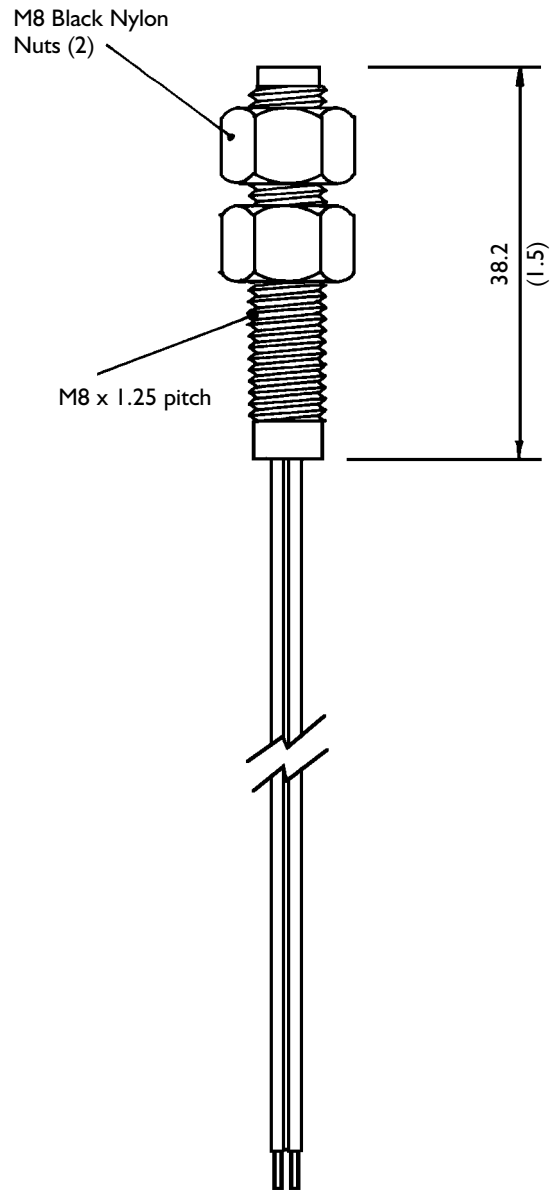
PS801 fitted with 1.5 metre of 0.5mm², 16/0.2mm stranded PVC insulation cable

PS811 can be fitted with various cable types in any length

PS80I Stainless Steel



PS81I Nylon 6.6



Installation

Please contact Sales at Gentech for installation instructions (Ref. FI 1000-R1)

Applications

Please contact Sales at Gentech for applications relating to this product group.