

Switching, Sensing and Control Solutions

from GENTECH INTERNATIONAL LTD

Grangestone Industrial Estate, Ayrshire KA26 9PS, United Kingdom

Telephone: +44(0) 1465-713581 Fax: +44(0) 1465-714974

Email:sales@gentech-international.co.uk Website: www.gentechinternational.com

FCS Series



Flow Switch In Noryl Materials

DESIGN FEATURES

- Compact Design
- Operates with small head of water
- Mountable in any orientation
- Food grade materials
- Noryl material for wetted parts
- Other materials available
- Reed Switch reliability
- Temperature range up to 85° C
- Pressure to 10 bar (20° C)
- Low flow rate 0.5L/Min available
- Low pressure drop

Operating Characteristic

Contact Configuration	SPST	
Contact ratings maximum (resistive load)	Volts DC	100
	Volts AC	250
	Amps	1.0
	Watts	10
Maximum withstand across open contacts	Volts DC	600
Initial contact resistance	Ohms	0.25

The above contact ratings are for resistive loads, for inductive, capacitive and tungsten filament lamp loads, refer to the circuit protection notebook

Environmental Specifications

HOUSING MATERIAL	Noryl
SHUTTLE MATERIAL	Noryl
OPERATING TEMPERATURE	-30 to + 85°C

Detailed chemical resistance information for specific liquids is available on request.

Flow Specifications

Operate Flow Rates	0.6 ± 0.3Litres/min, (0.13 ± 0.08 US Gallons/Min) Switch Horizontal
Flow Direction	Arrow Indication
Pressure Drop	0.17 Bar (2.5PSI) at 10 Litres/min (2.64 US Gallons/min)

Mechanical Specifications

Mounting Position	Pipe Thread	Shock (reed-switch only)	Vibration (reed-switch only)
Any Plane	Connection 3/8"BSP 3/8" NPT	50g for 11ms duration	35g up to 500 HZ

Part Number

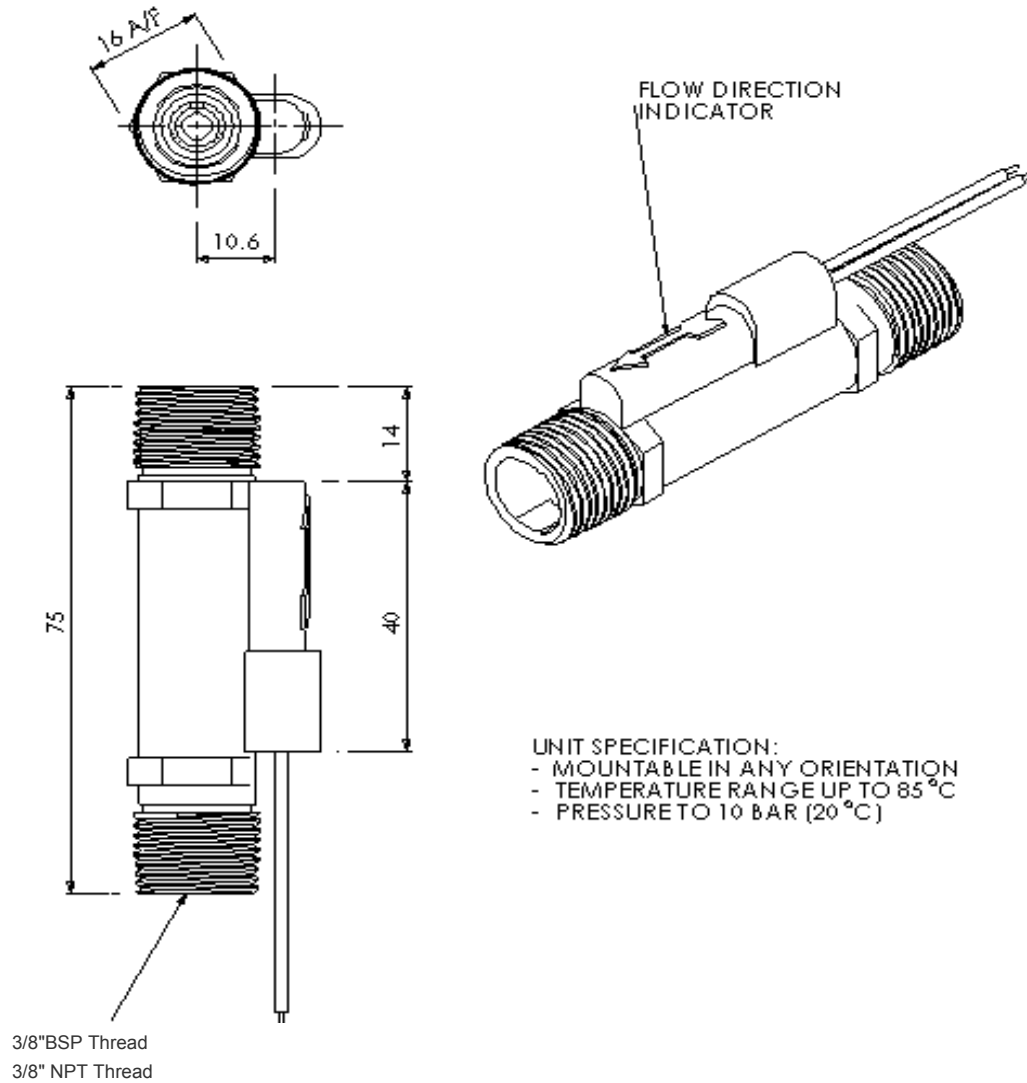
FCS - 01 = 3/8" BSP thread

FCS - 02 = 3/8" NPT thread

Electrical Connections

Fitted with 2 x 0.5 meters of 22 AWG 16/0.2mm UL 1015 PVC Insulation

Dimensions



Installation & Applications

Please contact our Technical Sales Team for Installation details or assistance related to the application of this sensor



GENTECH INTERNATIONAL LTD
Grangestone Industrial Estate, Girvan, Ayrshire KA26 9PS, United Kingdom
Telephone: +44 (0) 1465-713581 Fax: +44 (0) 1465-714974
Email: sales@gentech-international.co.uk
Website: www.gentechinternational.com