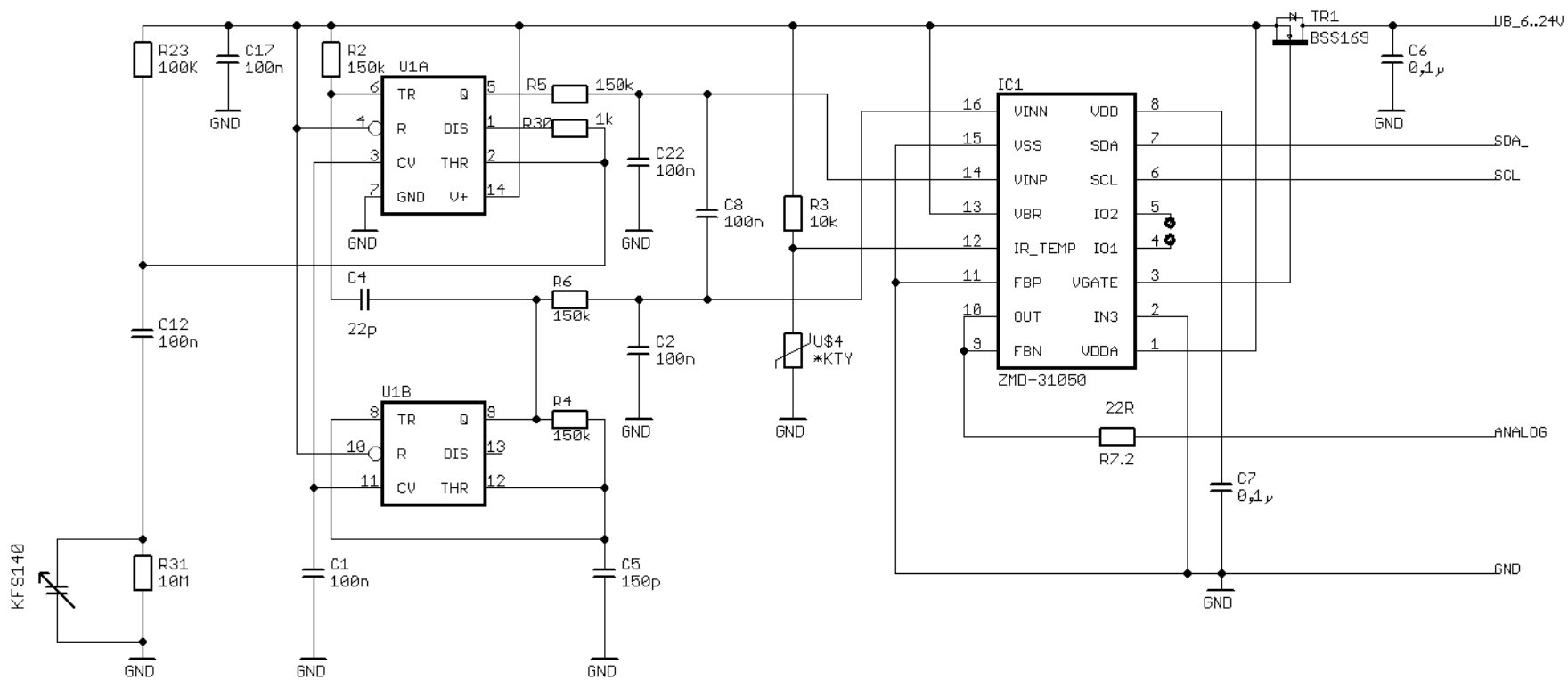
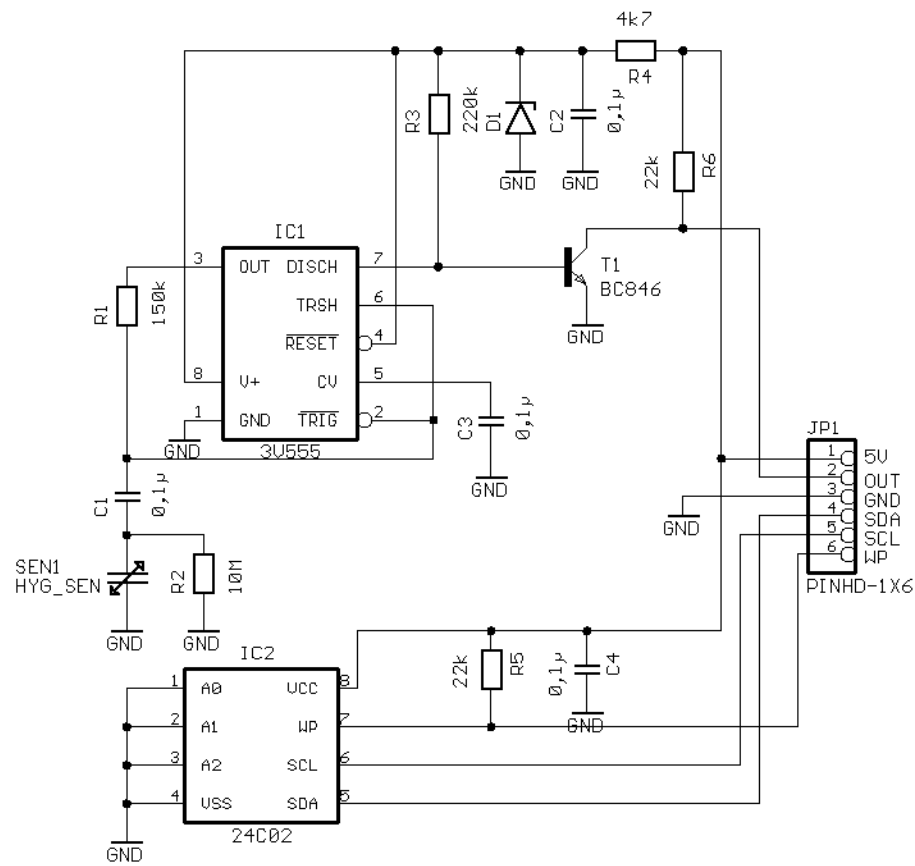


TITLE: Application note with CD4001	
Document Number:	REV:
Date: 11.01.2010 20:32:10	Sheet: 1/1



TITLE: Analogue circuit with ASIC	
Document Number:	REV:
Date: 11.01.2010 21:07:28	Sheet: 1/1



TITLE: 1307H_R4

Document Number:

REV:

Date: 25.02.2004 10:53:40

Sheet: 1/1