

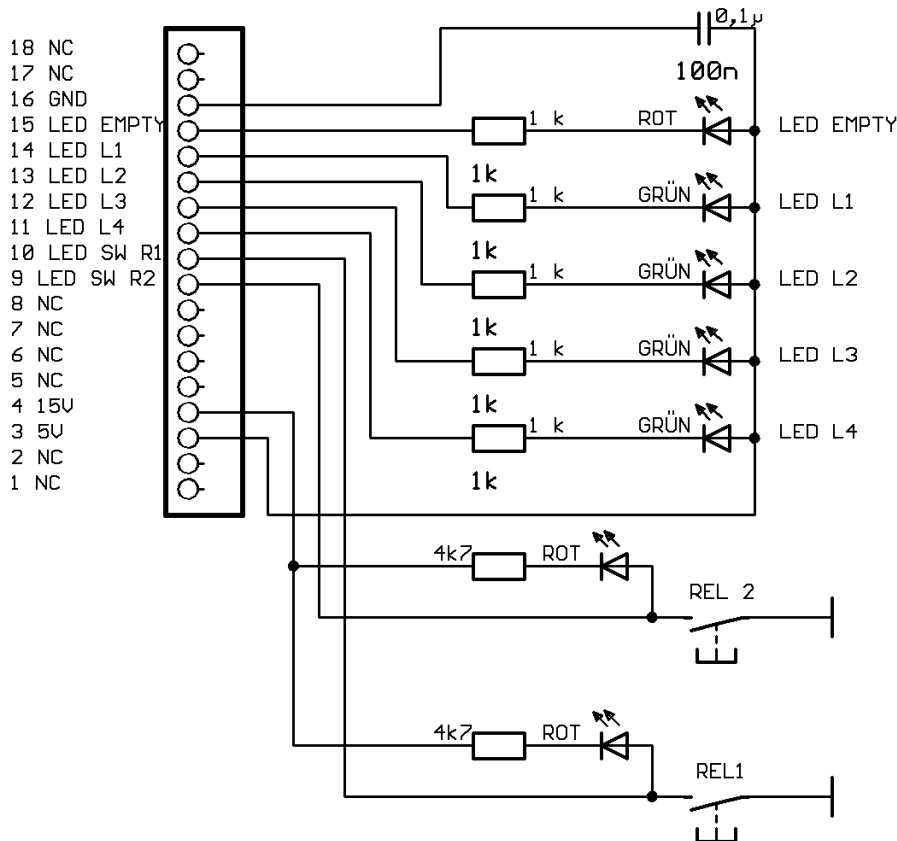
# LEVEL CONTROLLER FOR CONDUCTING LIQUIDS



## Connection of external LEDs and pushbuttons

The connection of your own components shall be done at your own risk and is outside the guarantee coverage!

External LEDs or pushbuttons for switching the relays can be connected on the terminal strip at the lower edge of the PCB. A ready made control unit for 12/24V-model is available with us as accessories.



Pin	Function	Description
1, 2, 5, 6, 7, 8, 17, 18	NC	unused
3	5V	Stabilised operating voltage 5V
4	15V	Unstabilised operating voltage 15V
9	LED SW R2	LED and Relay 2 switch , switching against GND, red LED against +15V with $R_v$ 4.7k
10	LED SW R1	LED and Relay 2 switch, switching against GND, red LED to +15V with $R_v$ 4.7k
11	LED 4	LED for level 4, LED green to +5V with $R_v$ 1k
12	LED 3	LED for level 3, LED green to +5V with $R_v$ 1k
13	LED 2	LED for level 2, LED green to +5V with $R_v$ 1k
14	LED 1	LED for level 1, LED green to +5V with $R_v$ 1k
15	LED EMPTY	LED for level "Empty", LED red to +5V with $R_v$ 1k
16	GND	Reference potential

