

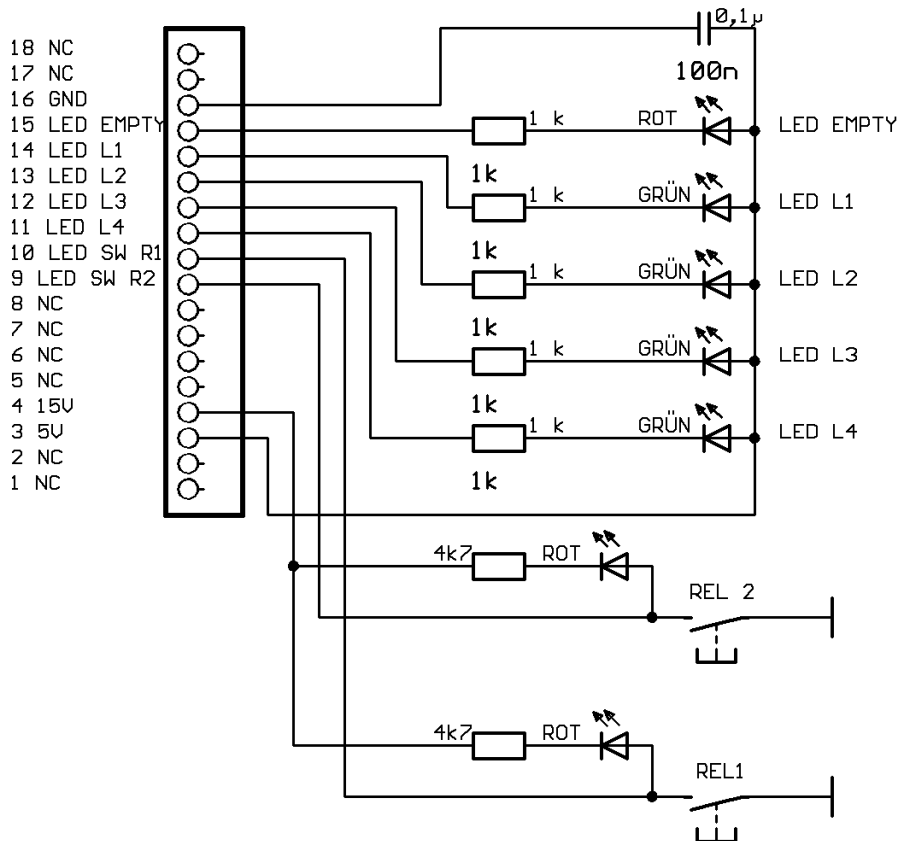
LEVEL CONTROLLER FOR CONDUCTING LIQUIDS



Connection of external LEDs and pushbuttons

The connection of your own components shall be done at your own risk and is outside the guarantee coverage!

External LEDs or pushbuttons for switching the relays can be connected on the terminal strip at the lower edge of the PCB. A ready made control unit for 12/24V-model is available with us as accessories.



Pin	Function	Description
1, 2, 5, 6, 7, 8, 17, 18	NC	unused
3	5V	Stabilised operating voltage 5V
4	15V	Unstabilised operating voltage 15V
9	LED SW R2	LED and Relay 2 switch , switching against GND, red LED against +15V with R_v 4.7k
10	LED SW R1	LED and Relay 2 switch, switching against GND, red LED to +15V with R_v 4.7k
11	LED 4	LED for level 4, LED green to +5V with R_v 1k
12	LED 3	LED for level 3, LED green to +5V with R_v 1k
13	LED 2	LED for level 2, LED green to +5V with R_v 1k
14	LED 1	LED for level 1, LED green to +5V with R_v 1k
15	LED EMPTY	LED for level "Empty", LED red to +5V with R_v 1k
16	GND	Reference potential

