




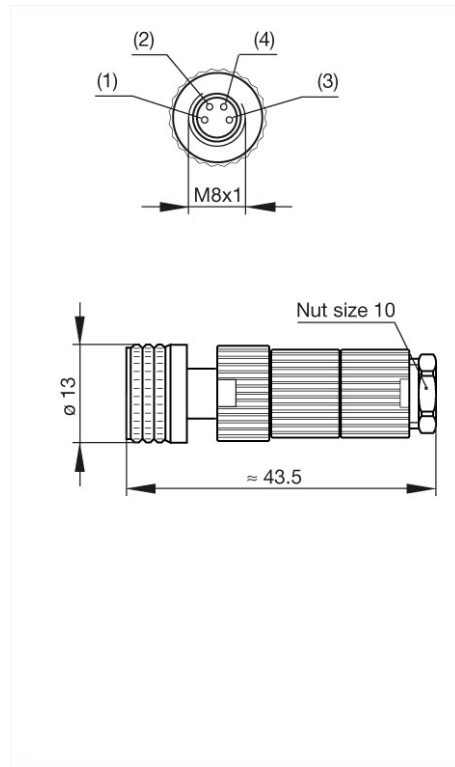
## Product information RSMCQ 4 - RKMCCQ 4

Industrial Connecting Solutions: Circular Connectors: M8 - M12 Connectors: M8 Connectors: Attachable M8 Connectors: female connector: with threaded joint - with Quick connection: RSMCQ 4

<http://www.e-catalog.beldensolutions.com/link/57078-24228-256281-256292-256303-250396-250398-250402-250515/en/conf/ui/state>

Name	RSMCQ 4
	
	Straight cable socket, unassembled, strain relief by means of clamping cage
<b>Delivery informations</b>	
Availability	available
<b>Product description</b>	
Description	Straight cable socket, unassembled, strain relief by means of clamping cage
Type	RKMCCQ 4
Order No.	933 367-100
Type of contact	female
Number of contacts	4
Cable gland	M 9.5 x 1
Standard	IEC 61076-2-101 (Ed. 1)/ IEC 60947-5-2
Housing Color	black
<b>Technical data</b>	
Rated voltage	AC/DC 30 V
Rated current	3 A (2 A at 0.14 mm <sup>2</sup> )
Type of termination	pin penetration
Suitable cables	diameter 4 mm to 5 mm / 0.14 mm <sup>2</sup> to 0.34 mm <sup>2</sup>
Core insulation of connecting leads	PVC, PETP, diameter 1.0 mm to 1.55 mm
<b>Material</b>	
Contact material	Cu Sn
Contact surface material	Au
Contact bearer material	PA
Housing material	PA
Coupling nut material	Zn Al/Ni
O-Ring	Viton / NBR
<b>Environmental conditions</b>	
Protection class (IEC 60529)	IP 67
Pollution severity	3
Temperature range	-25 °C to +70 °C
<b>Inflammability class</b>	
Housing	94 V-2
Contact bearer	94 V-2
<b>Packing unit</b>	
Packaging unit	100 pieces

Picture  
Drawing



**Belden Deutschland GmbH**  
Im Gewerbepark 2  
58579 Schalksmühle  
Germany  
Phone: +49 7127/14-1806  
E-Mail: [icos-sales@belden.com](mailto:icos-sales@belden.com)

The information published in the websites has been compiled as carefully as possible. It is subject to alteration without notice in technical as well as in price-related/commercial respect. The complete information and data were available on user documentation. Mandatory information can only be obtained by a concrete query.