



## Flash Memory Programming Specification

### 1.0 DEVICE OVERVIEW

This document includes the programming specifications for the following devices:

- PIC12F615
- PIC12F609
- PIC12F617
- PIC16F616
- PIC16F610
- PIC12HV615
- PIC12HV609
- PIC16HV616
- PIC16HV610

**Note 1:** All references to the PIC12F615 parts refer to the PIC12HV615 parts as well (unless otherwise specified).

**2:** All references to the PIC16F616 parts refer to the PIC16HV616 as well (unless otherwise specified).

**3:** All references to the PIC12F609 parts refer to the PIC12HV609 as well (unless otherwise specified).

**4:** All references to the PIC16F610 parts refer to the PIC16HV610 as well (unless otherwise specified).

**5:** Any references in this programming specification to PORTA and RAn refer to GPIO and GPn, respectively.

### 2.1 Hardware Requirements

These devices require one power supply for VDD, see Table 7-1 VDD, and one for VPP, see Table 7-1 VIH.

### 2.2 Program/Verify Mode

The Program/Verify mode for these devices allows programming of user program memory, user ID locations, Calibration Word and the Configuration Word.

### 2.0 PROGRAMMING THE PIC12F609/12F615/12F617/ 16F610/16F616 AND PIC12HV609/12HV615/16HV610/ 16HV616 DEVICES

The PIC12F609/12F615/12F617/16F610/16F616 and PIC12HV609/12HV615/16HV610/16HV616 devices are programmed using a serial method. The Serial mode will allow these devices to be programmed while in the user's system. These programming specifications apply to all of the above devices in all packages.

FIGURE 2-1: 8-PIN, 14-PIN, AND 16-PIN PROGRAMMING PINS DIAGRAM FOR PIC12F609/12F615/12F617/16F610/16F616<sup>(1)</sup>

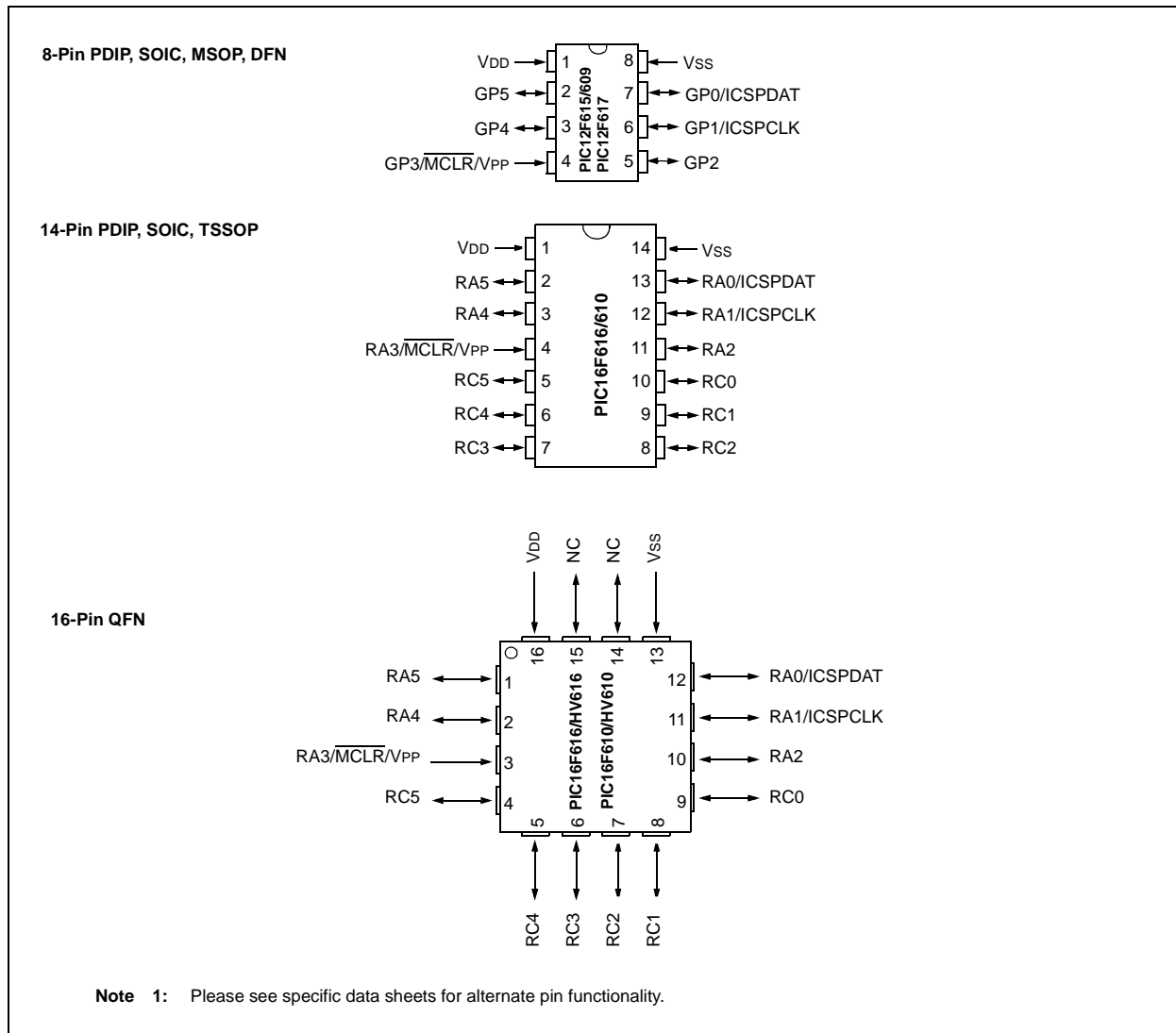


TABLE 2-1: PIN DESCRIPTIONS IN PROGRAM/VERIFY MODE: PIC12F609/12F615/12F617/16F610/16F616 AND PIC12HV609/12HV615/16HV610/16HV616

Pin Name	During Programming		
	Function	Pin Type	Pin Description
GP1/RA1	ICSPCLK	I	Clock input – Schmitt Trigger input
GP0/RA0	ICSPDAT	I/O	Data input/output – Schmitt Trigger input
MCLR	Program/Verify mode	P <sup>(1)</sup>	Program Mode Select
VDD	VDD	P	Power Supply
VSS	VSS	P	Ground

**Legend:** I = Input, O = Output, P = Power

**Note 1:** In the PIC12F609/12F615/12F617/16F610/16F616 and PIC12HV609/12HV615/16HV610/16HV616, the programming high voltage is internally generated. To activate the Program/Verify mode, voltage of V<sub>IHH</sub> and a current of I<sub>IHH</sub> (see Table 7-1) needs to be applied to MCLR input.

## 3.0 MEMORY DESCRIPTION

### 3.1 Program Memory Map

The user memory space extends from 0x0000 to 0x1FFF. In Program/Verify mode, the program memory space extends from 0x0000 to 0x3FFF, with the first half (0x0000-0x1FFF) being user program memory and the second half (0x2000-0x3FFF) being configuration memory. The Program Counter (PC) will increment from 0x0000 to 0x1FFF and wrap to 0x0000. If the PC is between 0x2000 to 0x3FFF it will wrap around to 0x2000 (not to 0x0000). Once in configuration memory, the highest bit of the PC stays a '1', thus always pointing to the configuration memory. The only way to point to user program memory is to reset the part and re-enter Program/Verify mode as described in **Section 4.0 "Program/Verify Mode"**.

For all of the devices covered in this document, the configuration memory space, 0x2000 to 0x2008, is physically implemented. However, only locations 0x2000 to 0x2003, 0x2007 and 0x2008 are available. Other locations are reserved.

### 3.2 User ID Locations

A user may store identification information (user ID) in four designated locations. The user ID locations are mapped in 0x2000 to 0x2003. It is recommended that the user use only the seven Least Significant bits (LSBs) of each user ID location. The user ID locations read out normally, even after code protection is enabled. It is recommended that ID locations are written as 'xx xxxx xbbb bbbb' where 'bbb bbbb' is the user ID information.

The 14 bits may be programmed, but only the 7 LSBs are read and displayed by MPLAB® IDE.

### 3.3 Calibration Word

For all of the devices covered in this document, the 4/8 MHz Internal Oscillator (INTOSC) module is factory calibrated. This value is stored in the Calibration Word (0x2008). See the applicable device data sheet for more information.

The Calibration Word does not necessarily participate in the erase operation unless a specific procedure is executed. Therefore, the device can be erased without affecting the Calibration Word. This simplifies the erase procedure since these values do not need to be read and restored after the device is erased.

FIGURE 3-1: PIC12F615/HV615, PIC12F609/HV609, PIC16F610/HV610 PROGRAM MEMORY MAPPING

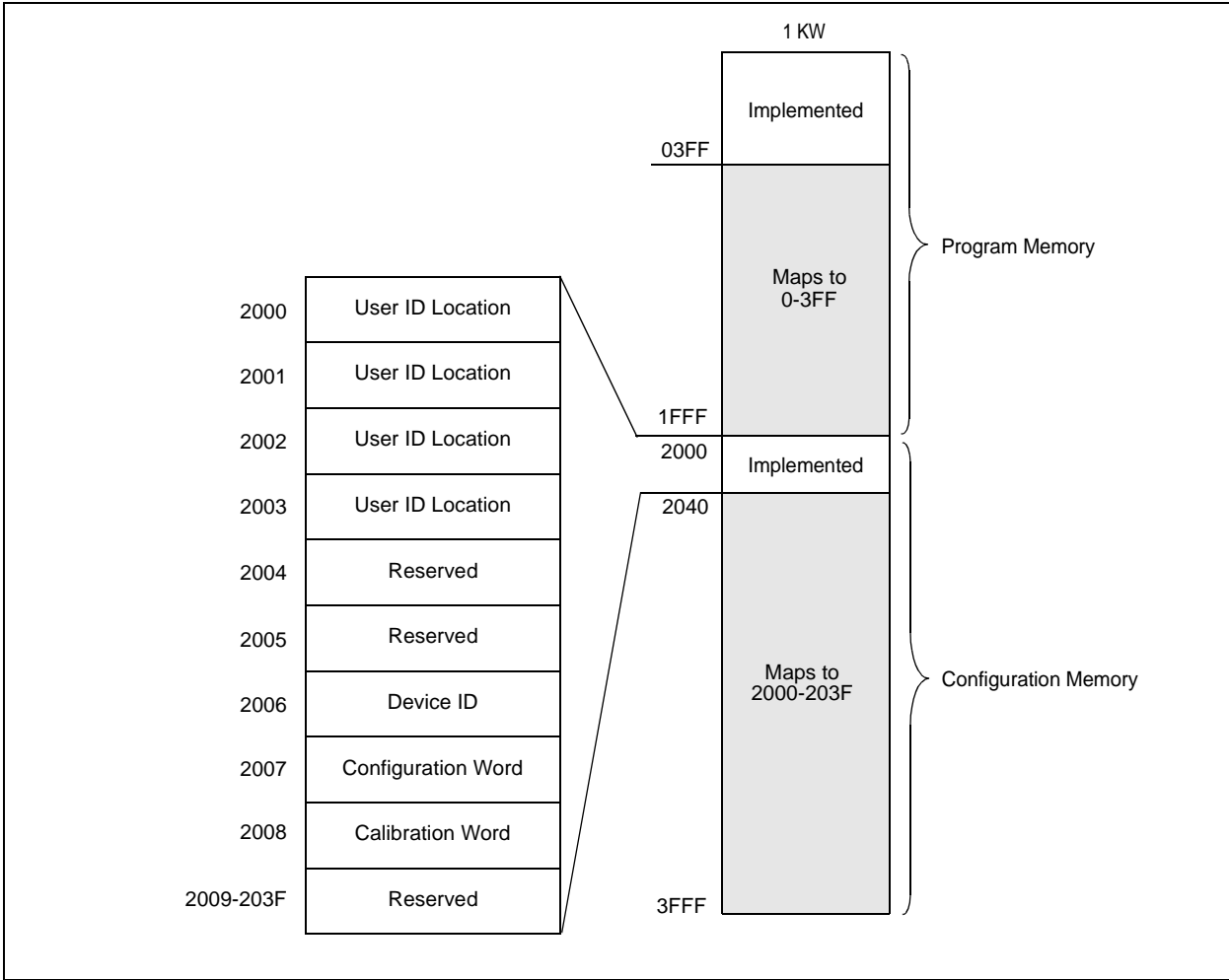
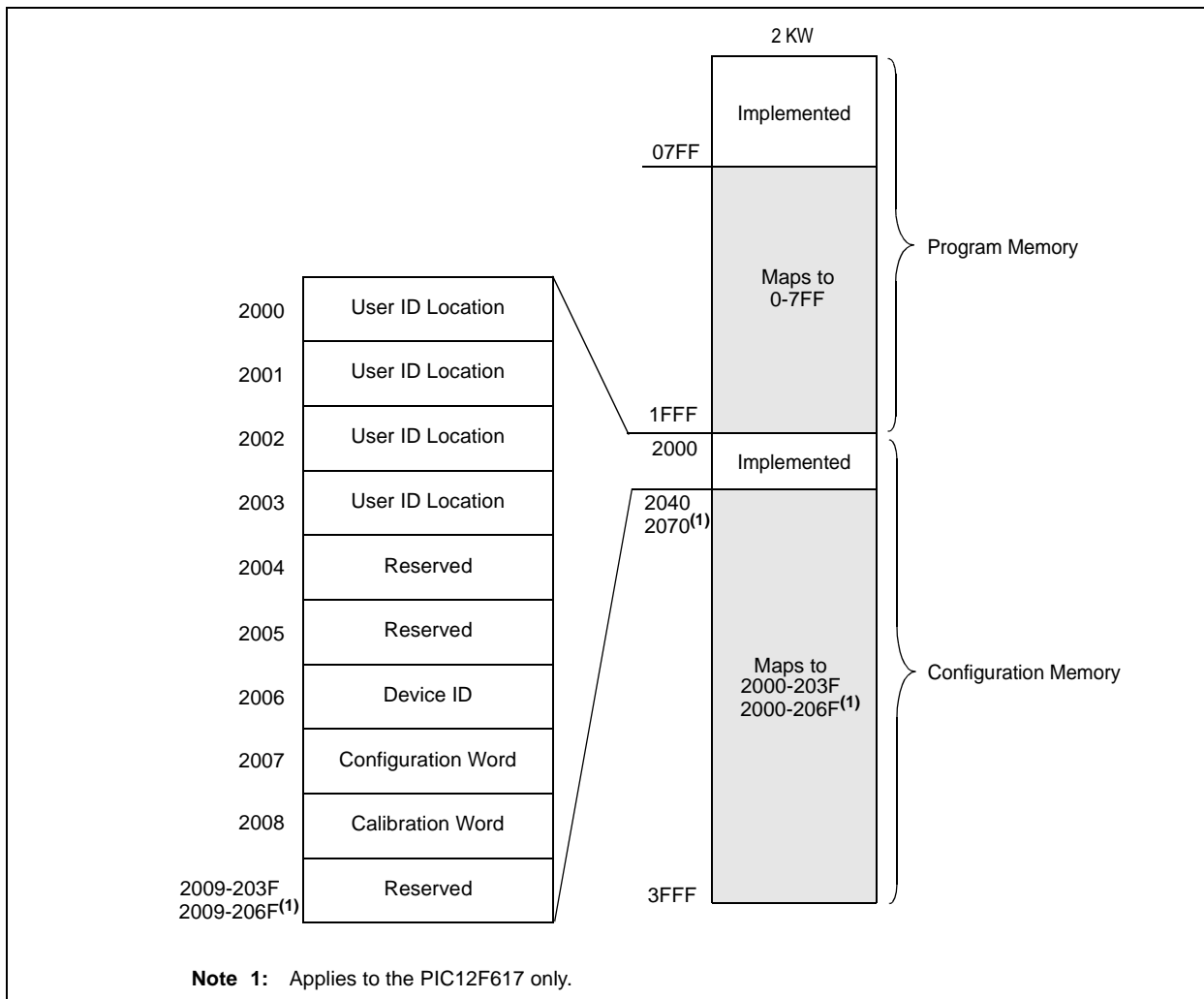


FIGURE 3-2: PIC12F617/PIC16F616/HV616 PROGRAM MEMORY MAPPING



#### 4.0 PROGRAM/VERIFY MODE

Two methods are available to enter Program/Verify mode. “VPP-first” is entered by holding ICSPDAT and ICSPCLK low while raising the MCLR pin from VIL to VIH (high voltage), then applying VDD and data. This method can be used for any Configuration Word selection and **must** be used if the INTOSC and internal MCLR options are selected (FOSC<2:0> = 100 or 101 and MCLRE = 0). The VPP-first entry prevents the device from executing code prior to entering Program/Verify mode. See the timing diagram in Figure 4-1.

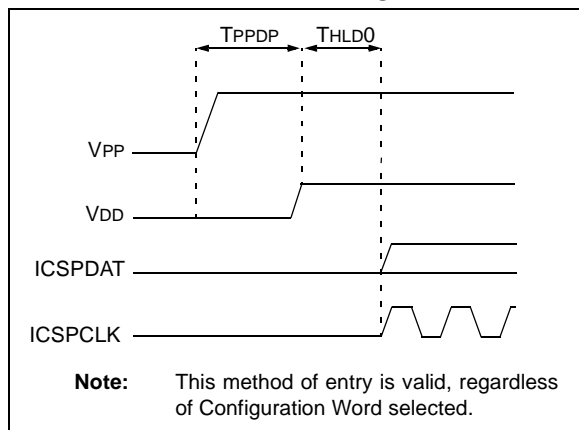
The second entry method, “VDD-first”, is entered by applying VDD, holding ICSPDAT and ICSPCLK low, then raising MCLR pin from VIL to VIH (high voltage), followed by data. This method can be used for any Configuration Word selection **except** when INTOSC and internal MCLR options are selected (FOSC<2:0> = 100 or 101 and MCLRE = 0). This technique is useful when programming the device when VDD is already applied, for it is not necessary to disconnect VDD to enter Program/Verify mode. See the timing diagram in Figure 4-2.

Once in Program/Verify mode, the program memory and configuration memory can be accessed and programmed in serial fashion. ICSPDAT and ICSPCLK are Schmitt Trigger inputs in this mode. RA4 is tri-state regardless of fuse setting.

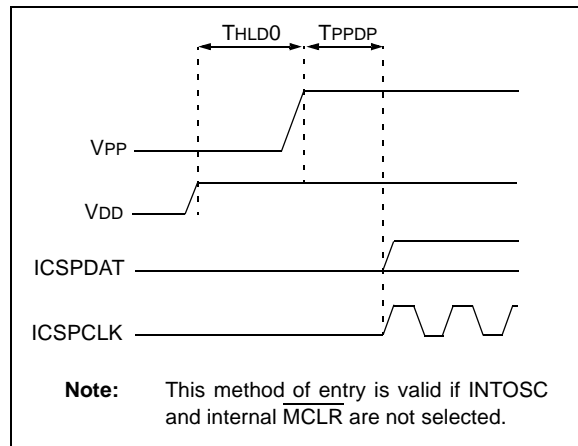
The sequence that enters the device into the Program/Verify mode places all other logic into the Reset state (the MCLR pin was initially at VIL). Therefore, all I/Os are in the Reset state (high-impedance inputs) and the PC is cleared.

To prevent a device configured with INTOSC and internal MCLR from executing after exiting Program/Verify mode, VDD needs to power down before VPP. See Figure 4-3 for the timing.

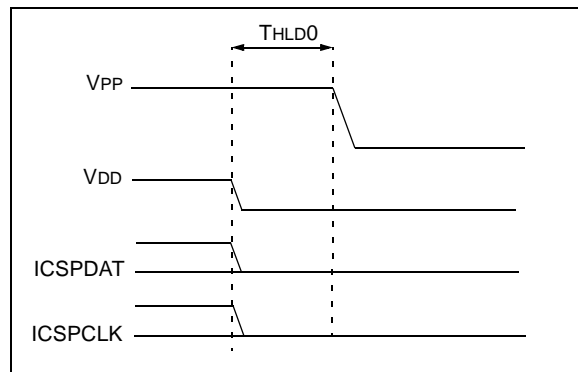
**FIGURE 4-1: VPP-FIRST PROGRAM/VERIFY MODE ENTRY**



**FIGURE 4-2: VDD-FIRST PROGRAM/VERIFY MODE ENTRY**



**FIGURE 4-3: PROGRAM/VERIFY MODE EXIT**



#### 4.1 Program/Erase Algorithms

The PIC16F616/PIC12F617 program memory may be written in two ways. The fastest method writes four words at a time. However, one-word writes are also supported for backward compatibility with previous 8-pin and 14-pin Flash devices. The four-word algorithm is used to program the program memory only. The one-word algorithm can write any available memory location (i.e., program memory, configuration memory and calibration memory).

**Note:** The PIC12F615, PIC12F609, PIC16F610 program memories must be written in one-word writes only.

After writing the array, the PC may be reset and read back to verify the write. It is not possible to verify immediately following the write because the PC can only increment, not decrement.

A device Reset will clear the PC and set the address to '0'. The Increment Address command will increment the PC. The Load Configuration command will set the PC to 0x2000. The available commands are shown in Table 4-1.

#### 4.1.1 ONE-WORD PROGRAMMING

The PIC12F615, PIC12F609, PIC16F616 and PIC16F610 program memories can be written one word at a time to allow compatibility with other 8-pin and 14-pin Flash PIC<sup>®</sup> devices. Configuration memory (>0x2000) must be written one word (or byte) at a time.

The sequences for programming one word of program memory at a time is:

1. Load a word at the current program memory address using the Load Data For Program Memory command.
2. Issue a Begin Programming (externally timed) command.
3. Wait T<sub>PROG1</sub>.
4. Issue End Programming command.
5. Issue an Increment Address command.
6. Repeat this sequence as required to write program, calibration or configuration memory.

See Figure 4-12 for more information.

#### 4.1.2 FOUR-WORD PROGRAMMING

The PIC16F616/PIC12F617 program memory can be written four words at a time using the four-word algorithm. Configuration memory (addresses >0x2000) and non-aligned (addresses modulo 4 not equal to zero) starting addresses must use the one-word programming algorithm.

This algorithm writes four sequential addresses in program memory. The four addresses must point to a four-word block which address modulo 4 of 0, 1, 2 and 3. For example, programming address 4 through 7 can be programmed together. Programming addresses 2 through 5 will create an unexpected result.

The sequence for programming four words of program memory at a time is:

1. Load a word at the current program memory address using the Load Data For Program Memory command. This location must be address modulo 4 equal to 0.
2. Issue an Increment Address command to point to the next address in the block.
3. Load a word at the current program memory address using the Load Data For Program Memory command.
4. Issue an Increment Address command to point to the next address in the block.
5. Load a word at the current program memory address using the Load Data For Programming Memory command.
6. Issue an Increment Address command to point to the next address in the block.
7. Load a word at the current program memory address using the Load Data For Programming Memory command.
8. Issue a Begin Programming command externally timed.
9. Wait T<sub>PROG1</sub>.
10. Issue End Programming.
11. Wait T<sub>DIS</sub>.
12. Issue an Increment Address command to point to the start of the next block of addresses.
13. Repeat steps 1 through 12 as required to write the desired range of program memory.

See Figure 4-12 for more information.

**Note:** Only the PIC16F616 and PIC12F617 program memory can be written to using the four-word programming algorithm.

## 4.1.3 ERASE ALGORITHMS

The PIC12F609/12F615/12F617/16F610/16F616 and PIC12HV609/12HV615/16HV610/16HV616 devices will erase different memory locations depending on the PC and CP. The following sequences can be used to erase noted memory locations. To erase the program memory and Configuration Word (0x2007), the following sequence must be performed. Note the Calibration Word (0x2008) and User ID (0x2000-0x2003) **will not** be erased.

1. Do a Bulk Erase Program Memory command.
2. Wait TERA to complete erase.

To erase the User ID (0x2000-0x2003), Configuration Word (0x2007) and program memory, use the following sequence. Note that the Calibration Word (0x2008) **will not** be erased.

1. Perform Load Configuration with dummy data to point the PC to 0x2000.
2. Perform a Bulk Erase Program Memory command.
3. Wait TERA to complete erase.

## 4.1.4 SERIAL PROGRAM/VERIFY OPERATION

The ICSPCLK pin is used as a clock input and the ICSPDAT pin is used for entering command bits and data input/output during serial operation. To input a command, ICSPCLK is cycled six times. Each command bit is latched on the falling edge of the clock with the LSb of the command being input first. The data input onto the ICSPDAT pin is required to have a minimum setup and hold time (see Table 7-1), with respect to the falling edge of the clock. Commands that have data associated with them (Read and Load) are specified to have a minimum delay of 1  $\mu$ s between the command and the data. After this delay, the clock pin is cycled 16 times with the first cycle being a Start bit and the last cycle being a Stop bit.

During a read operation, the LSb will be transmitted onto the ICSPDAT pin on the rising edge of the second cycle. For a load operation, the LSb will be latched on the falling edge of the second cycle. A minimum 1  $\mu$ s delay is also specified between consecutive commands, except for the End Programming command, which requires a 100  $\mu$ s (TDIS).

All commands and data words are transmitted LSb first. Data is transmitted on the rising edge and latched on the falling edge of the ICSPCLK. To allow for decoding of commands and reversal of data pin configuration, a time separation of at least 1  $\mu$ s (TDLY1) is required between a command and a data word.

The commands that are available are described in Table 4-1.



**TABLE 4-1: COMMAND MAPPING FOR PIC12F609/12F615/12F617/16F610/16F616 AND PIC12HV609/12HV615/16HV610/16HV616**

Command	Mapping (MSb ... LSb)						Data
Load Configuration	x	x	0	0	0	0	0, data (14), 0
Load Data for Program Memory	x	x	0	0	1	0	0, data (14), 0
Read Data from Program Memory	x	x	0	1	0	0	0, data (14), 0
Increment Address	x	x	0	1	1	0	
Begin Programming	x	1	1	0	0	0	Externally Timed
End Programming	x	0	1	0	1	0	
Bulk Erase Program Memory	x	x	1	0	0	1	Internally Timed
Row Erase Program Memory	x	1	0	0	0	1	Internally Timed

4.1.4.1 Load Configuration

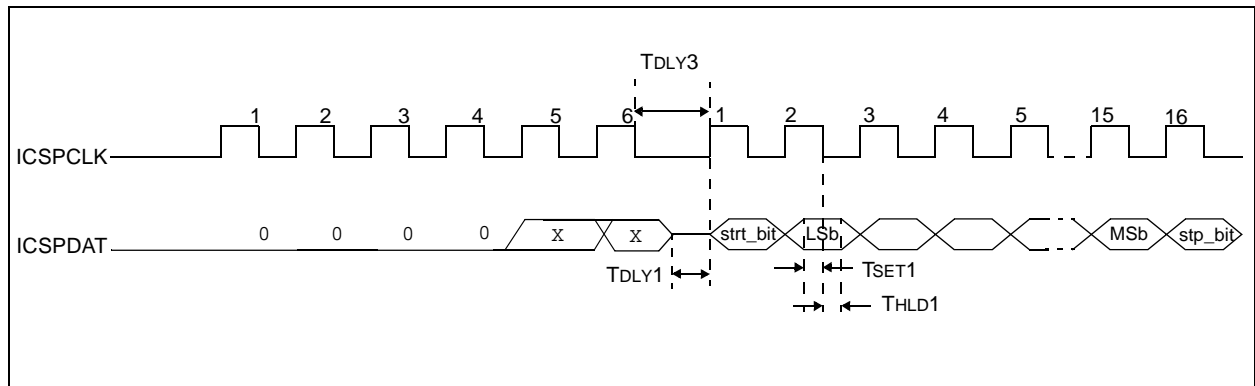
The Load Configuration command is used to access the Configuration Word (0x2007), User ID (0x2000-0x2003) and Calibration Word (0x2008). This command sets the PC to address 0x2000 and loads the data latches with one word of data.

To access the configuration memory, send the Load Configuration command. Individual words within the configuration memory can be accessed by sending Increment Address commands and using load or read data for program memory.

After the 6-bit command is input, the ICSPCLK pin is cycled an additional 16 times for the Start bit, 14 bits of data and the Stop bit (see Figure 4-4).

After the configuration memory is entered, the only way to get back to the program memory is to exit the Program/Verify mode by taking MCLR low (VIL).

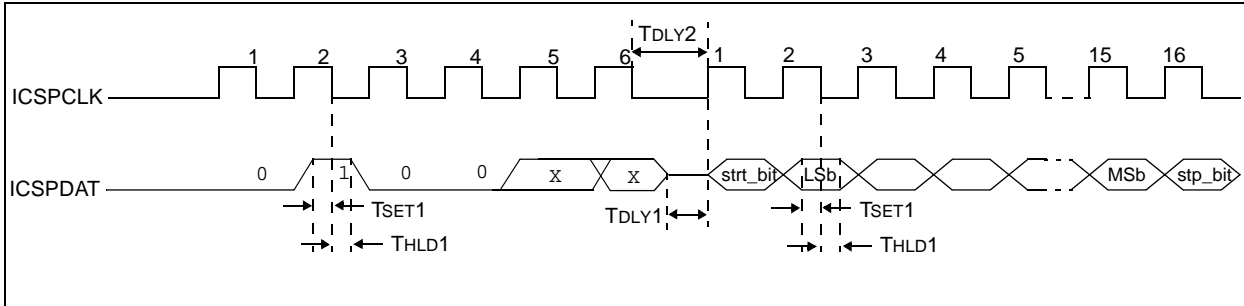
**FIGURE 4-4: LOAD CONFIGURATION COMMAND**



4.1.4.2 Load Data For Program Memory

After receiving this command, the chip will load in a 14-bit “data word” when 16 cycles are applied, as described in Section 4.1.4.1 “Load Configuration”. A timing diagram of this command is shown in Figure 4-5.

FIGURE 4-5: LOAD DATA FOR PROGRAM MEMORY COMMAND



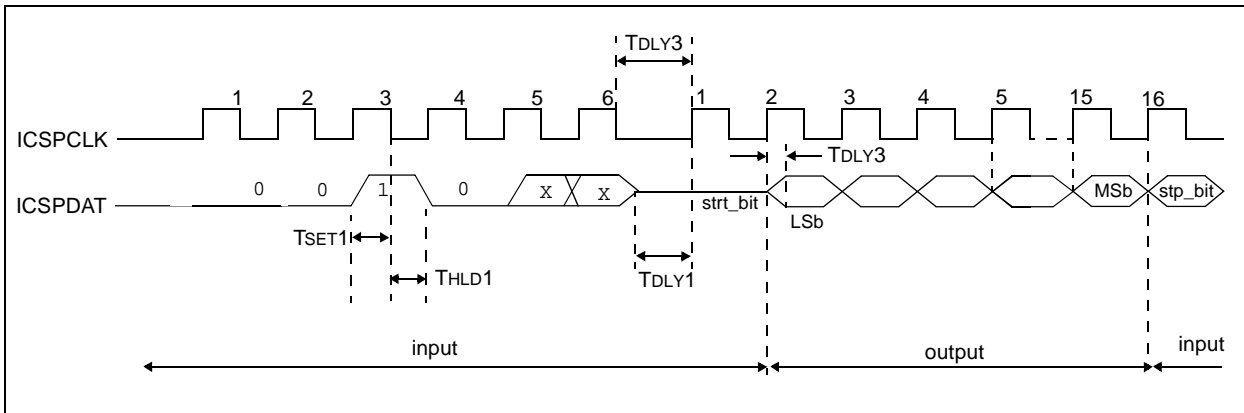
4.1.4.3 Read Data From Program Memory

After receiving this command, the chip will transmit data bits out of the program memory (user or configuration) currently accessed, starting with the second rising edge of the clock input. The data pin will go into Output mode on the second rising clock edge, and it will revert to Input mode (high-impedance) after the 16th rising edge.

If the program memory is code-protected ( $\overline{CP} = 0$ ), the data is read as zeros.

A timing diagram of this command is shown in Figure 4-6.

FIGURE 4-6: READ DATA FROM PROGRAM MEMORY COMMAND

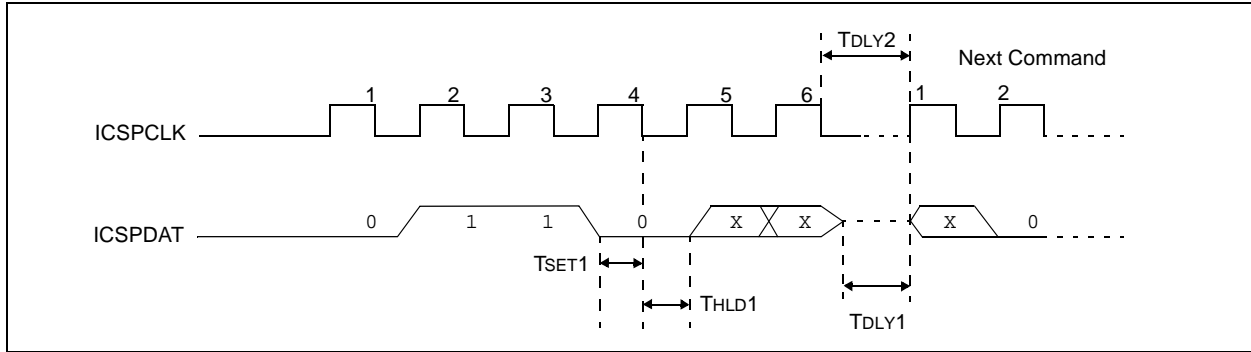


4.1.4.4 Increment Address

The PC is incremented when this command is received. A timing diagram of this command is shown in Figure 4-7.

It is not possible to decrement the address counter. To reset this counter, the user should exit and re-enter Program/Verify mode.

**FIGURE 4-7: INCREMENT ADDRESS COMMAND (PROGRAM/VERIFY)**

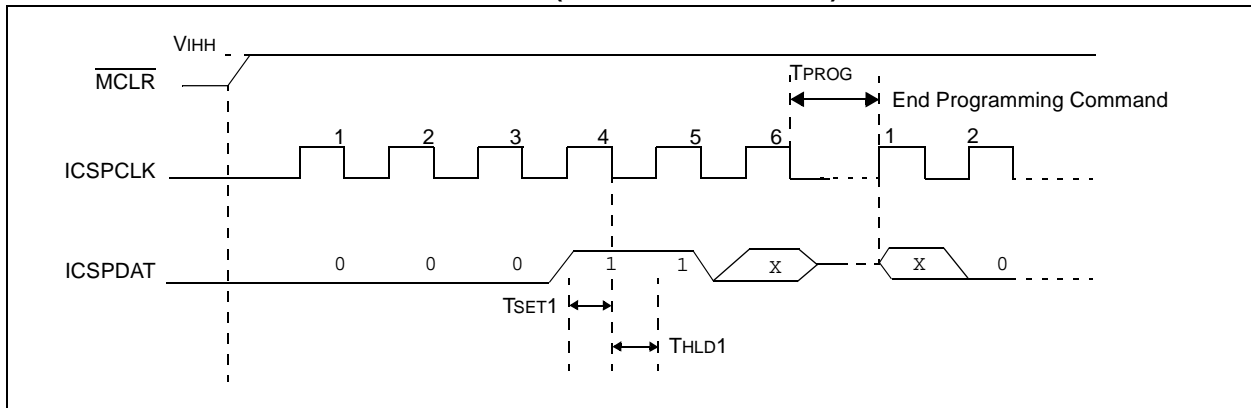


4.1.4.5 Begin Programming (Externally Timed)

A Load command must be given before every Begin Programming command. Programming of the appropriate memory (program memory, configuration or calibration memory) will begin after this command is received and decoded. Programming requires (T<sub>PROG</sub>) time and is terminated using an End Programming command. A timing diagram for this command is shown in Figure 4-8.

The addressed locations are not erased before programming.

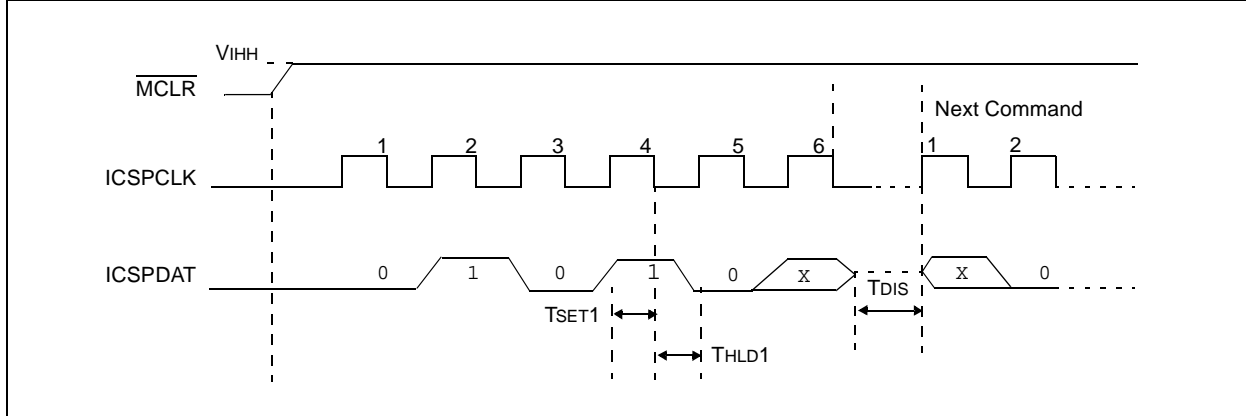
**FIGURE 4-8: BEGIN PROGRAMMING (EXTERNALLY TIMED)**



4.1.4.6 End Programming

After this command is performed, the write procedure will stop. A timing diagram of this command is shown in Figure 4-9.

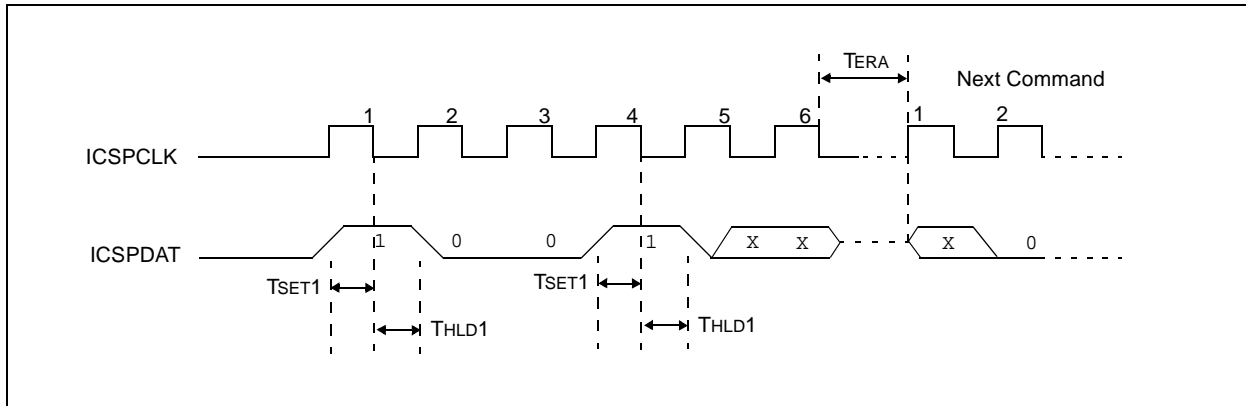
**FIGURE 4-9: END PROGRAMMING (SERIAL PROGRAM/VERIFY)**



4.1.4.7 Bulk Erase Program Memory

After this command is performed, the entire program memory and Configuration Word (0x2007) is erased. The user ID and calibration memory may also be erased, depending on the value of the PC. See Section 4.1.3 “Erase Algorithms” for erase sequences. A timing diagram for this command is shown in Figure 4-10.

**FIGURE 4-10: BULK ERASE PROGRAM MEMORY COMMAND**



#### 4.1.4.8 Row Erase Program Memory

This command erases the 16-word row of program memory pointed to by  $\overline{PC}<11:4>$ . If the program memory array is protected ( $\overline{CP} = 0$ ) or the PC points to the configuration memory ( $>0x2000$ ), the command is ignored.

To perform a Row Erase Program Memory, the following sequence must be performed.

1. Execute a Row Erase Program Memory command.
2. Wait TERA to complete a row erase.

**FIGURE 4-11: ROW ERASE PROGRAM MEMORY COMMAND**

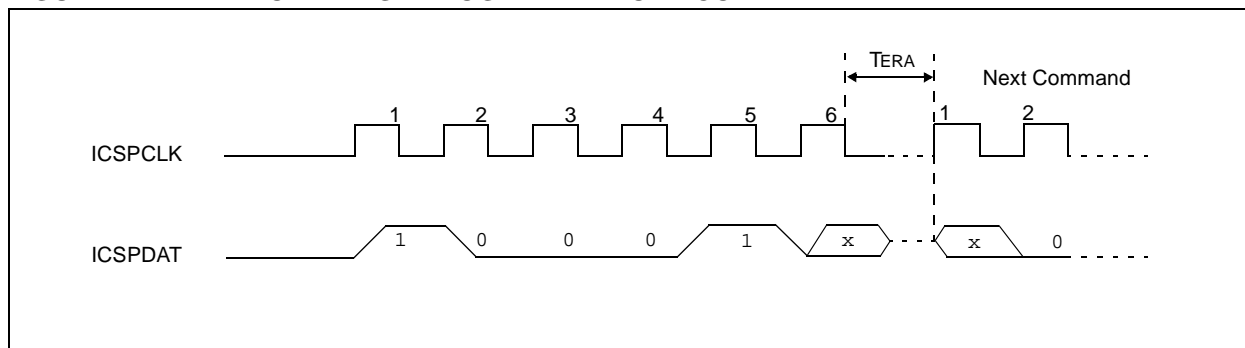


FIGURE 4-12: ONE-WORD PROGRAMMING FLOWCHART (PIC12F61X/16F61X AND PIC12F609)

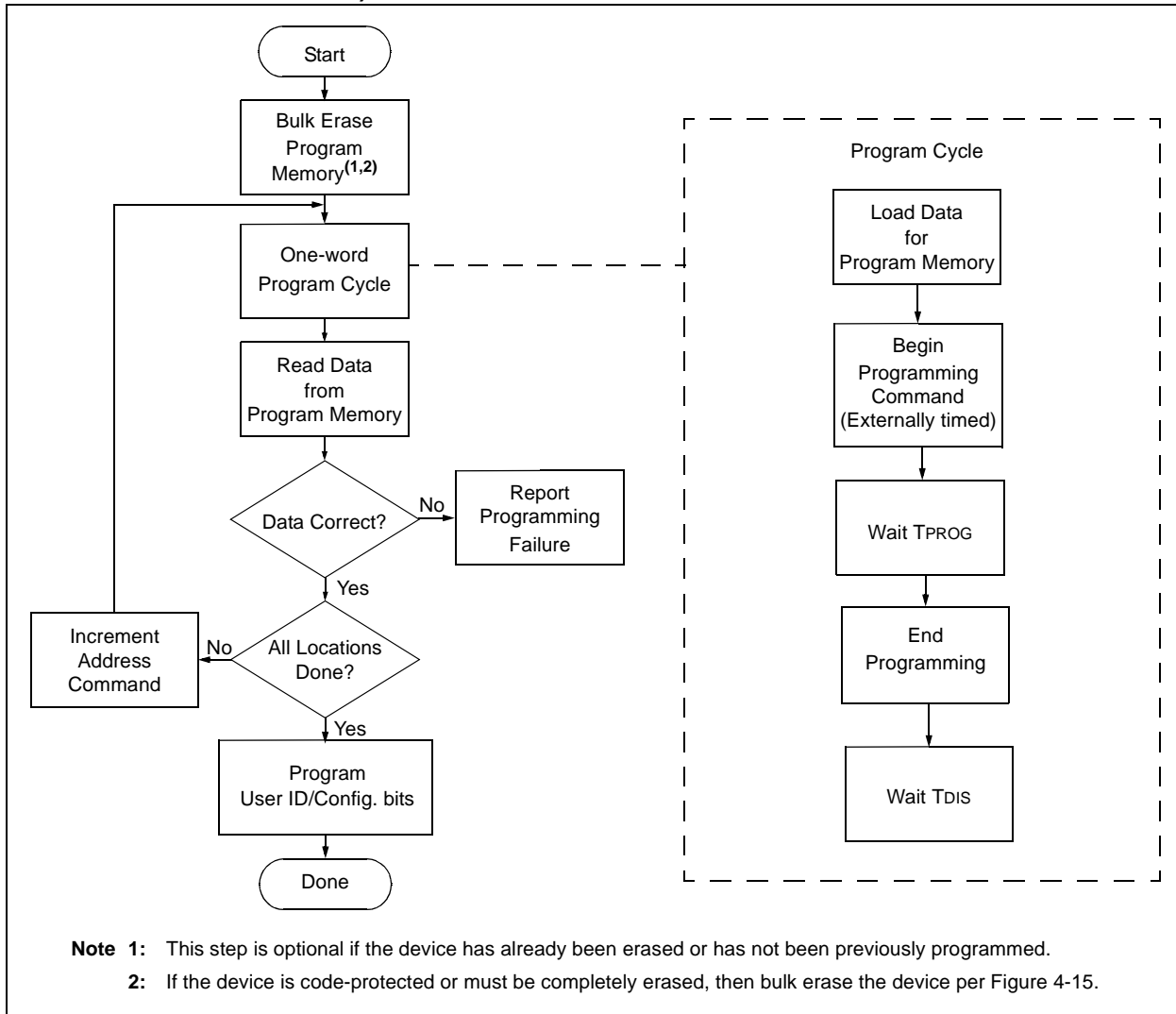


FIGURE 4-13: FOUR-WORD PROGRAMMING FLOWCHART (PIC12F617/PIC16F616)

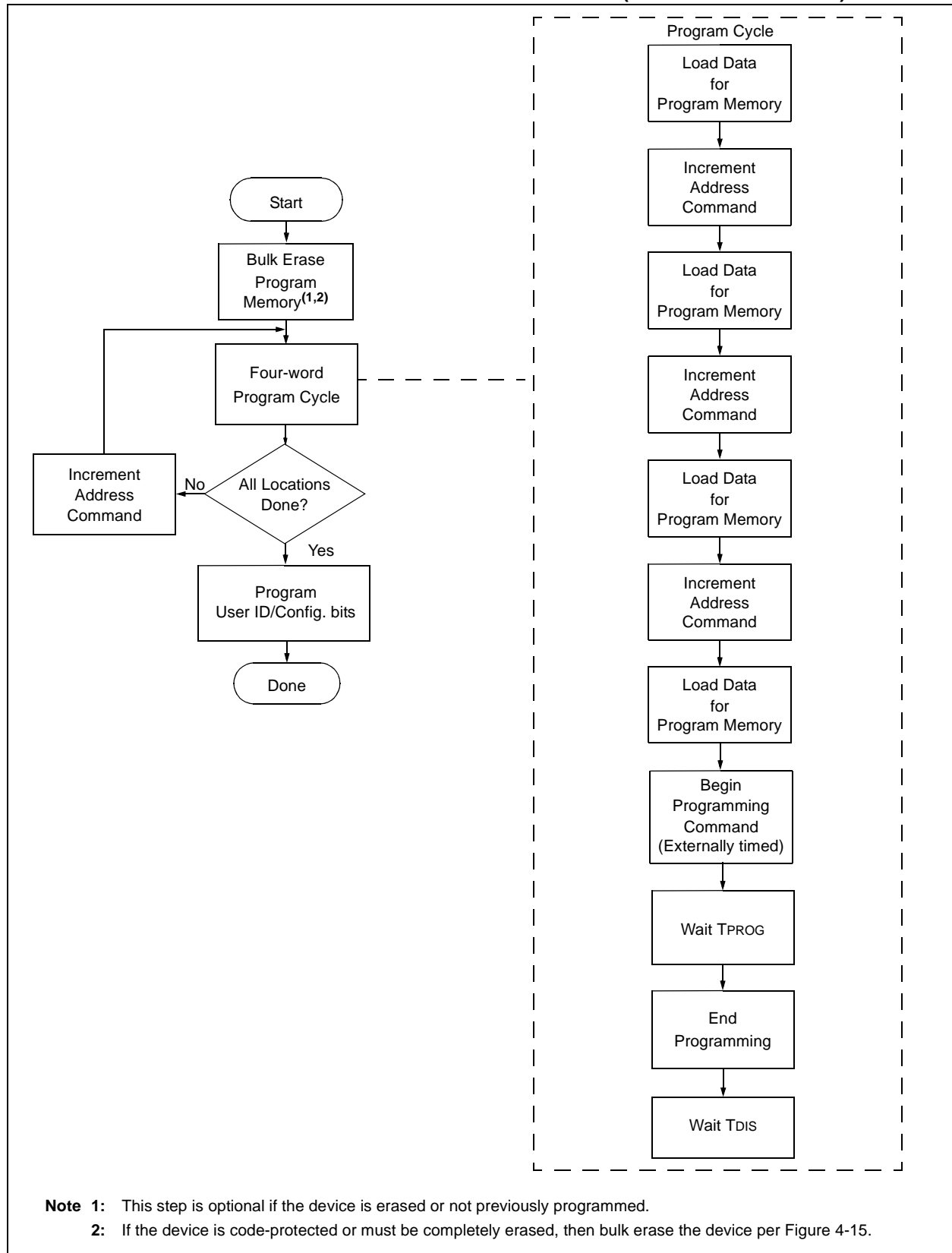


FIGURE 4-14: PROGRAM FLOWCHART – CONFIGURATION MEMORY

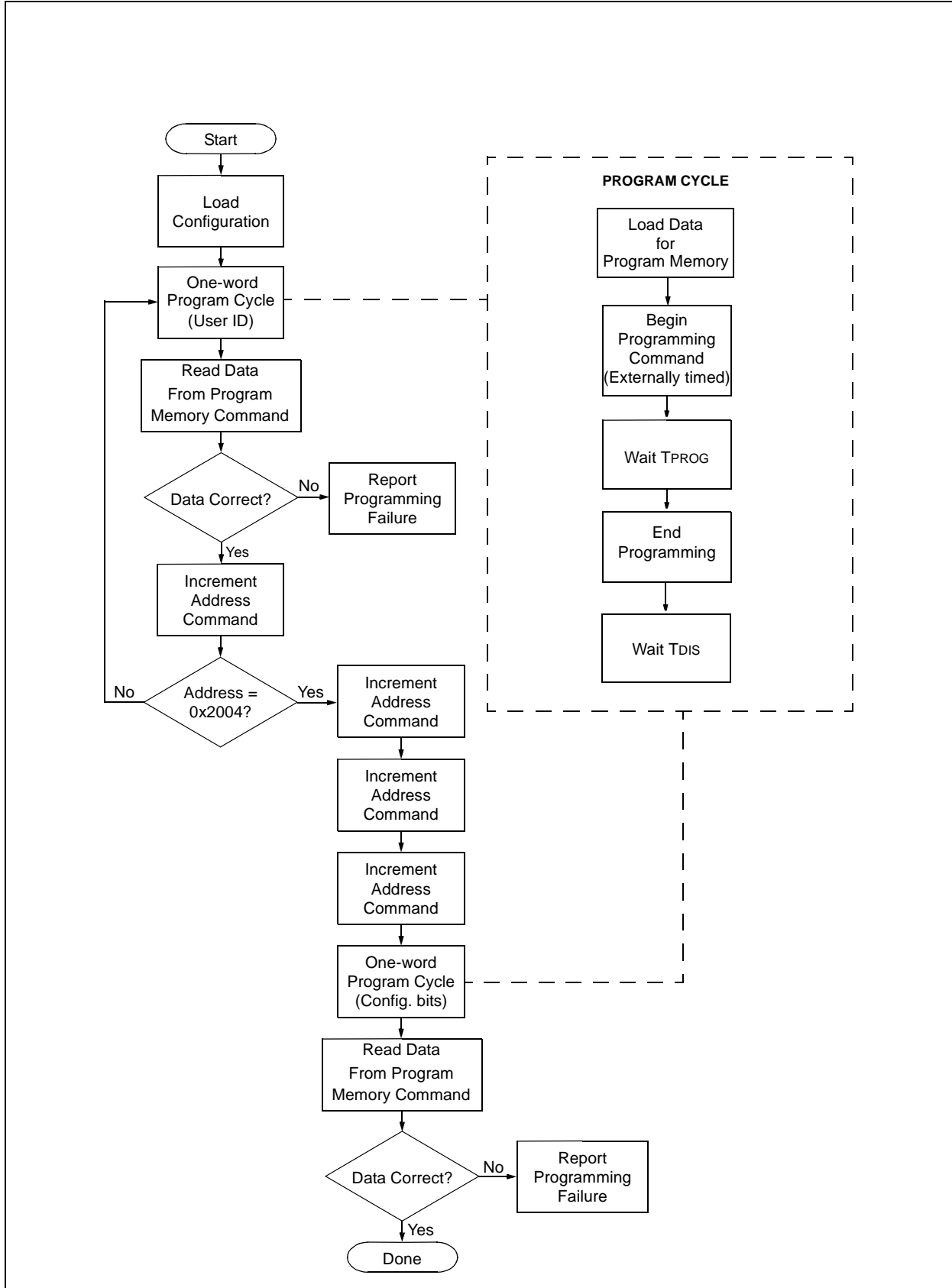
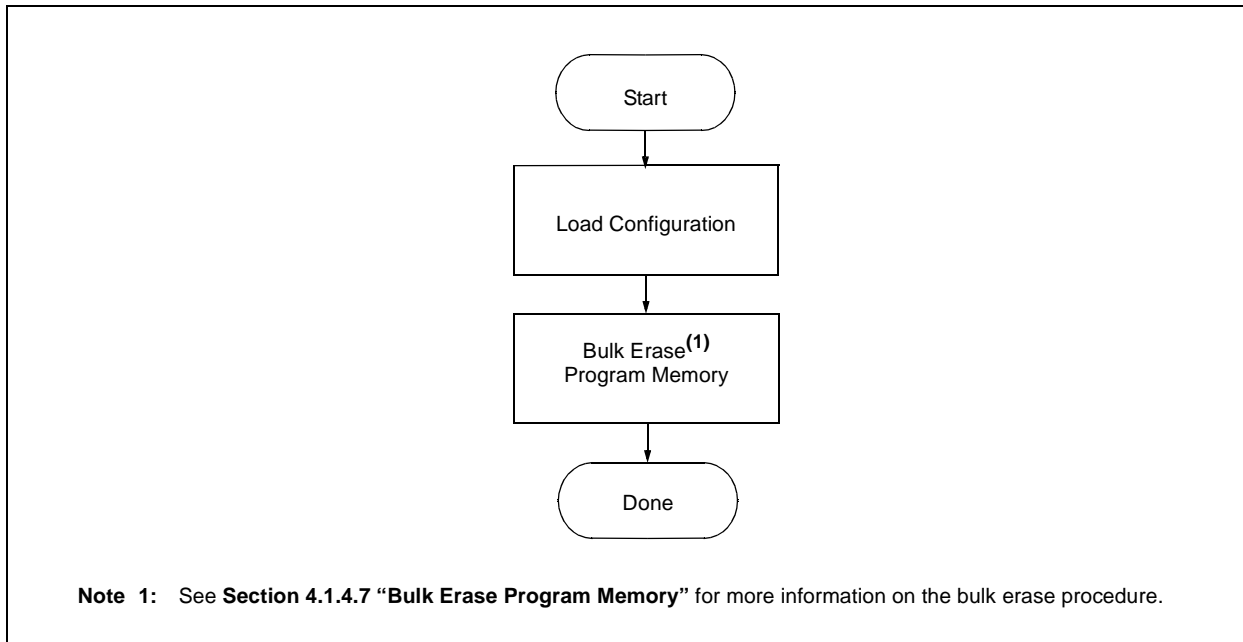




FIGURE 4-15: PROGRAM FLOWCHART – ERASE FLASH DEVICE



## 5.0 CONFIGURATION WORD

The PIC12F609/12F615/12F617/16F610/16F616 and PIC12HV609/12HV615/16HV610/16HV616 devices have several Configuration bits. These bits can be programmed (reads '0') or left unchanged (reads '1'), to select various device configurations.

### REGISTER 5-1: CONFIG: CONFIGURATION WORD (ADDRESS: 2007h)

U-1	U-1	U-1	U-1	R/P-1	R/P-1	R/P-1
—	—	—	—	BOREN1	BOREN0	IOSCFS
bit 13						

R/P-1	R/P-1	R/P-1	R/P-1	R/P-1	R/P-1	R/P-1
CP	MCLRE	PWRTE	WDTE	FOSC2	FOSC1	FOSC0
bit 6						

<b>Legend:</b>	x = Bit is unknown	P = Programmable bit
R = Readable bit	W = Writable bit	U = Unimplemented bit, read as '0'
-n = Value at POR	'1' = Bit is set	'0' = Bit is cleared

- bit 13-10     **Unimplemented:** Read as '1'
- bit 9-8     **BOREN<1:0>:** Brown-out Reset Enable bits
  - 11 = BOR enabled
  - 10 = BOR enabled while running and disabled in Sleep
  - 0x = BOR disabled
- bit 7       **IOSCFS:** Internal Oscillator Frequency Select bit
  - 1 = 8 MHz
  - 0 = 4 MHz
- bit 6       **CP:** Code Protection bit
  - 1 = Program memory is not code-protected
  - 0 = Program memory is external read and write-protected
- bit 5       **MCLRE:** MCLR Pin Function Select bit
  - 1 = MCLR pin is MCLR function and weak internal pull-up is enabled
  - 0 = MCLR pin is alternate function, MCLR function is internally disabled
- bit 4       **PWRTE:** Power-up Timer Enable bit<sup>(1)</sup>
  - 1 = PWRT disabled
  - 0 = PWRT enabled
- bit 3       **WDTE:** Watchdog Timer Enable bit
  - 1 = WDT enabled
  - 0 = WDT disabled
- bit 2-0     **FOSC<2:0>:** Oscillator Selection bits
  - 000 = LP oscillator: Low-power crystal on RA5/GP5 and RA4/GP4
  - 001 = XT oscillator: Crystal/resonator on RA5/GP5 and RA4/GP4
  - 010 = HS oscillator: High-speed crystal/resonator on RA5/GP5 and RA4/GP4
  - 011 = EC: I/O function on RA4/GP4, CLKIN on RA5/GP5
  - 100 = INTOSCIO oscillator: I/O function on RA4/GP4, I/O function on RA5/GP5
  - 101 = INTOSC oscillator: CLKOUT function on RA4/GP4, I/O function on RA5/GP5
  - 110 = EXTRCIO oscillator: I/O function on RA4/GP4, RC on RA5/GP5
  - 111 = EXTRC oscillator: CLKOUT function on RA4/GP4, RC on RA5/GP5

**Note 1:** Enabling Brown-out Reset does not automatically enable Power-up Timer.

**REGISTER 5-2: CONFIG: CONFIGURATION WORD (ADDRESS: 2007h) FOR PIC12F617 ONLY**

U-1	U-1	U-1	U-1	R/P-1	R/P-1	R/P-1
—	—	WRT1	WRT0	BOREN1	BOREN0	IOSCFS
bit 13						

R/P-1	R/P-1	R/P-1	R/P-1	R/P-1	R/P-1	R/P-1
$\overline{\text{CP}}$	MCLRE	$\overline{\text{PWRT}}\text{E}$	WDTE	FOSC2	FOSC1	FOSC0
bit 6						

<b>Legend:</b>	x = Bit is unknown	P = Programmable bit
R = Readable bit	W = Writable bit	U = Unimplemented bit, read as '0'
-n = Value at POR	'1' = Bit is set	'0' = Bit is cleared

- bit 13-12     **Unimplemented:** Read as '1'
- bit 11-10    **WRT<1:0>:** Flash Program Memory Self Write Enable bit
  - 11 =Write protection off
  - 10 =000h to 1FFh write-protected, 200h to 7FFh may be modified by PMCON1 control
  - 01 =000h to 3FFh write-protected, 400h to 7FFh may be modified by PMCON1 control
  - 00 =000h to 7FFh write-protected, entire program memory is write-protected
- bit 9-8       **BOREN<1:0>:** Brown-out Reset Enable bit
  - 11 =BOR enabled
  - 10 =BOR disabled during Sleep and enabled during operation
  - 0x =BOR disabled
- bit 7         **IOSCFS:** Internal Oscillator Frequency Select
  - 1 = 8 MHz
  - 0 = 4 MHz
- bit 6         **CP:** Code Protection
  - 1 = Program memory is not code-protected
  - 0 = Program memory is external read and write-protected
- bit 5         **MCLRE:** MCLR Pin Function Select
  - 1 =  $\overline{\text{MCLR}}$  pin is  $\overline{\text{MCLR}}$  function and weak internal pull-up is enabled
  - 0 =  $\overline{\text{MCLR}}$  pin is alternate function,  $\overline{\text{MCLR}}$  function is internally disabled
- bit 4         **PWRT**E: Power-up Timer Enable bit<sup>(1)</sup>
  - 1 = PWRT disabled
  - 0 = PWRT enabled
- bit 3         **WDTE:** Watchdog Timer Enable bit
  - 1 = WDT enabled
  - 0 = WDT disabled
- bit 2-0       **FOSC<2:0>:** Oscillator Selection bits
  - 000 = LP oscillator: Low-power crystal on RA5/T1CKI/OSC1/CLKIN and RA4/AN3/T1G/OSC2/CLKOUT
  - 001 = XT oscillator: Crystal/resonator on RA5/T1CKI/OSC1/CLKIN and RA4/AN3/T1G/OSC2/CLKOUT
  - 010 = HS oscillator: High-speed crystal/resonator on RA5/T1CKI/OSC1/CLKIN and RA4/AN3/T1G/OSC2/CLKOUT
  - 011 = EC: I/O function on RA4/AN3/T1G/OSC2/CLKOUT, CLKIN on RA5/T1CKI/OSC1/CLKIN
  - 100 = INTOSCIO oscillator: I/O function on RA4/AN3/T1G/OSC2/CLKOUT, I/O function on RA5/T1CKI/OSC1/CLKIN
  - 101 = INTOSC oscillator: CLKOUT function on RA4/AN3/T1G/OSC2/CLKOUT, I/O function on RA5/T1CKI/OSC1/CLKIN
  - 110 = EXTRCIO oscillator: I/O function on RA4/AN3/T1G/OSC2/CLKOUT, RC on RA5/T1CKI/OSC1/CLKIN
  - 111 = EXTRC oscillator: CLKOUT function on RA4/AN3/T1G/OSC2/CLKOUT, RC on RA5/T1CKI/OSC1/CLKIN

**Note 1:** Enabling Brown-out Reset does not automatically enable Power-up Timer (PWRT).

### 5.1 Device ID Word

The device ID word for the PIC12F609/12F615/12F617/16F610/16F616 and PIC12HV609/12HV615/16HV610/16HV616 is loaded at 2006h. This location can not be erased.

**TABLE 5-1: DEVICE ID VALUES**

Device	Device ID Values	
	Dev	Rev
PIC12F615	10 0001 100	x xxxxx
PIC12HV615	10 0001 101	x xxxxx
PIC12F617	01 0011 011	x xxxxx
PIC16F616	01 0010 010	x xxxxx
PIC16HV616	01 0010 011	x xxxxx
PIC12F609	10 0010 010	x xxxxx
PIC12HV609	10 0010 100	x xxxxx
PIC16F610	10 0010 011	x xxxxx
PIC16HV610	10 0010 101	x xxxxx

## 6.0 CODE PROTECTION

For PIC12F609/12F615/12F617/16F610/16F616 and PIC12HV609/12HV615/16HV610/16HV616, once the  $\overline{\text{CP}}$  bit is programmed to '0', all program memory locations read all '0's. The user ID locations and the Configuration Word read out in an unprotected fashion. Further programming is disabled for the entire program memory.

The user ID locations and the Configuration Word can be programmed regardless of the state of the  $\overline{\text{CP}}$  bit.

### 6.1 Disabling Code Protection

It is recommended to use the procedure in Figure 4-15 to disable code protection of the device. This sequence will erase the program memory, Configuration Word (0x2007) and user ID locations (0x2000-0x2003). The Calibration Word (0x2008) **will not** be erased.

### 6.2 Embedding Configuration Word and User ID Information in the Hex File

To allow portability of code, the programmer is required to read the Configuration Word and user ID locations from the hex file when loading the hex file. If Configuration Word information was not present in the hex file, a simple warning message may be issued. Similarly, while saving a hex file, Configuration Word and user ID information must be included. An option to not include this information may be provided.

Microchip Technology Incorporated feels strongly that this feature is important for the benefit of the end customer.

## 6.3 Checksum Computation

### 6.3.1 CHECKSUM

Checksum is calculated by reading the contents of the program memory locations and adding up the opcodes up to the maximum user addressable location (e.g., 0x7FF for the PIC16F616). Any carry bits exceeding 16 bits are neglected. Finally, the Configuration Word (appropriately masked) is added to the checksum. The checksum computation for the PIC12F609/12F615/12F617/16F610/16F616 and PIC12HV609/12HV615/16HV610/16HV616 devices is shown in Table 6-1.

The checksum is calculated by summing the following:

- The contents of all program memory locations
- The Configuration Word, appropriately masked
- Masked user ID locations (when applicable)

The Least Significant 16 bits of this sum is the checksum.

Table 6-1 describes how to calculate the checksum for each device. Note that the checksum calculation differs depending on the code-protect setting. Since the program memory locations read out zeroes when code-protected, the table describes how to manipulate the actual program memory values to simulate values that would be read from a protected device. When calculating a checksum by reading a device, the entire program memory can simply be read and summed. The Configuration Word and user ID locations can always be read regardless of code-protect setting.

**Note:** Some older devices have an additional value added in the checksum. This is to maintain compatibility with older device programmer checksums.

TABLE 6-1: CHECKSUM COMPUTATIONS

Device	Code Protect	Checksum*	Blank Value	0x25E6 at 0 and Max. Address
PIC12F615/HV615	$\overline{CP} = 1$	$SUM[0x000:0x03FF] + (CFGW \& 0x03FF)$	0xFFFF	0xCBCD
	$\overline{CP} = 0$	$(CFGW \& 0x03FF) + SUM\_ID$	0x03BE	0xCF8C
PIC12F617	$\overline{CP} = 1$	$SUM[0x000:0x07FF] + (CFGW \& 0x03FF)$	0xFBFF	0xC7CD
	$\overline{CP} = 0$	$(CFGW \& 0x03FF) + SUM\_ID$	0x03BE	0xCF8C
PIC12F609/HV609	$\overline{CP} = 1$	$SUM[0x000:0x03FF] + (CFGW \& 0x03FF)$	0xFFFF	0xCBCD
	$\overline{CP} = 0$	$(CFGW \& 0x03FF) + SUM\_ID$	0x03BE	0xCF8C
PIC16F610/HV610	$\overline{CP} = 1$	$SUM[0x000:0x03FF] + (CFGW \& 0x03FF)$	0xFFFF	0xCBCD
	$\overline{CP} = 0$	$(CFGW \& 0x03FF) + SUM\_ID$	0x03BE	0xCF8C
PIC16F616/HV616	$\overline{CP} = 1$	$SUM[0x000:0x07FF] + (CFGW \& 0x03FF)$	0xFBFF	0xC7CD
	$\overline{CP} = 0$	$(CFGW \& 0x03FF) + SUM\_ID$	0x03BE	0xCF8C

**Legend:** CFGW = Configuration Word. Example calculations assume Configuration Word is erased (all '1's').  
 SUM[a:b] = [Sum of locations a to b inclusive]  
 SUM\_ID = User ID locations masked by 0xF then made into a 16-bit value with ID0 as the Most Significant nibble. For example, ID0 = 0x1, ID1 = 0x2, ID3 = 0x3, ID4 = 0x4, then SUM\_ID = 0x1234. The 4 LSB's of the unprotected checksum is used for the example calculations.  
 \*Checksum = [Sum of all the individual expressions] MODULO [0xFFFF]  
 + = Addition  
 & = Bitwise AND

## 7.0 PROGRAM/VERIFY MODE ELECTRICAL CHARACTERISTICS

TABLE 7-1: AC/DC CHARACTERISTICS TIMING REQUIREMENTS FOR PROGRAM/VERIFY MODE

AC/DC CHARACTERISTICS		Standard Operating Conditions (unless otherwise stated) Operating Temperature $-40^{\circ}\text{C} \leq T_A \leq +85^{\circ}\text{C}$ Operating Voltage $4.5\text{V} \leq V_{DD} \leq 5.5\text{V}$				
Sym.	Characteristics	Min.	Typ.	Max.	Units	Conditions/Comments
<b>General</b>						
VDD	VDD level for read/write operations, program and data memory	2.0	—	5.5	V	PIC16F616/F610, PIC12F615/F617/F609
		2.0	—	4.7 <sup>(1)</sup>	V	PIC16HV616/HV610, PIC12HV615/HV609
		2.0	—	5.25 <sup>(2)</sup>	V	PIC16HV616/HV610, PIC12HV615/HV609
	VDD level for bulk erase operations, program and data memory	4.5	—	5.5	V	PIC16F616/F610, PIC12F615/F617/F609
		4.5	—	4.7 <sup>(1)</sup>	V	PIC16HV616/HV610, PIC12HV615/HV609
		4.5	—	5.25 <sup>(2)</sup>	V	PIC16HV616/HV610, PIC12HV615/HV609
VIHH	High voltage on $\overline{\text{MCLR}}$ for Program/Verify mode entry	10	—	13	V	
IIHH	$\overline{\text{MCLR}}$ current during programming	—	300	1000	$\mu\text{A}$	
TVHHR	$\overline{\text{MCLR}}$ rise time ( $V_{SS}$ to $V_{HH}$ ) for Program/Verify mode entry	—	—	1.0	$\mu\text{s}$	
TPPDP	Hold time after $V_{PP}$ changes	5	—	—	$\mu\text{s}$	
VIH1	(ICSPCLK, ICSPDAT) input high level	0.8 $V_{DD}$	—	—	V	
VIL1	(ICSPCLK, ICSPDAT) input low level	0.2 $V_{DD}$	—	—	V	
TSET0	ICSPCLK, ICSPDAT setup time before $\overline{\text{MCLR}}\uparrow$ (Program/Verify mode selection pattern setup time)	100	—	—	ns	
THLD0	Hold time after $V_{DD}$ changes	5	—	—	$\mu\text{s}$	
<b>Serial Program/Verify</b>						
TSET1	Data in setup time before clock $\downarrow$	100	—	—	ns	
THLD1	Data in hold time after clock $\downarrow$	100	—	—	ns	
TDLY1	Data input not driven to next clock input (delay required between command/data or command/command)	1.0	—	—	$\mu\text{s}$	
TDLY2	Delay between clock $\downarrow$ to clock $\uparrow$ of next command or data	1.0	—	—	$\mu\text{s}$	
TDLY3	Clock $\downarrow$ to data out valid (during a Read Data command)	—	—	80	ns	
TERA	Erase cycle time	—	5	6	ms	
TPROG	Programming cycle time	3	—	—	ms	$10^{\circ}\text{C} \leq T_A \leq +40^{\circ}\text{C}$
TDIS	Time delay from program to compare (HV discharge time)	100	—	—	$\mu\text{s}$	

- Note** 1: Maximum  $V_{DD}$  voltage when programming the device without a current limiting series resistor. Voltages above this level will cause the shunt regulator to draw excessive current and damage the device.  
 2: Limiting the current through the shunt regulator to within max shunt current (device electrical characteristic SR02) with either a series resistor or with a current limited supply.

**APPENDIX A: REVISION HISTORY**

**Revision A (10/2009)**

Original release of this document.



---

**Note the following details of the code protection feature on Microchip devices:**

- Microchip products meet the specification contained in their particular Microchip Data Sheet.
- Microchip believes that its family of products is one of the most secure families of its kind on the market today, when used in the intended manner and under normal conditions.
- There are dishonest and possibly illegal methods used to breach the code protection feature. All of these methods, to our knowledge, require using the Microchip products in a manner outside the operating specifications contained in Microchip's Data Sheets. Most likely, the person doing so is engaged in theft of intellectual property.
- Microchip is willing to work with the customer who is concerned about the integrity of their code.
- Neither Microchip nor any other semiconductor manufacturer can guarantee the security of their code. Code protection does not mean that we are guaranteeing the product as “unbreakable.”

Code protection is constantly evolving. We at Microchip are committed to continuously improving the code protection features of our products. Attempts to break Microchip's code protection feature may be a violation of the Digital Millennium Copyright Act. If such acts allow unauthorized access to your software or other copyrighted work, you may have a right to sue for relief under that Act.

---

Information contained in this publication regarding device applications and the like is provided only for your convenience and may be superseded by updates. It is your responsibility to ensure that your application meets with your specifications. MICROCHIP MAKES NO REPRESENTATIONS OR WARRANTIES OF ANY KIND WHETHER EXPRESS OR IMPLIED, WRITTEN OR ORAL, STATUTORY OR OTHERWISE, RELATED TO THE INFORMATION, INCLUDING BUT NOT LIMITED TO ITS CONDITION, QUALITY, PERFORMANCE, MERCHANTABILITY OR FITNESS FOR PURPOSE. Microchip disclaims all liability arising from this information and its use. Use of Microchip devices in life support and/or safety applications is entirely at the buyer's risk, and the buyer agrees to defend, indemnify and hold harmless Microchip from any and all damages, claims, suits, or expenses resulting from such use. No licenses are conveyed, implicitly or otherwise, under any Microchip intellectual property rights.

**Trademarks**

The Microchip name and logo, the Microchip logo, dsPIC, KEELOQ, KEELOQ logo, MPLAB, PIC, PICmicro, PICSTART, rPIC and UNI/O are registered trademarks of Microchip Technology Incorporated in the U.S.A. and other countries.


FilterLab, Hampshire, HI-TECH C, Linear Active Thermistor, MXDEV, MXLAB, SEEVAL and The Embedded Control Solutions Company are registered trademarks of Microchip Technology Incorporated in the U.S.A.

Analog-for-the-Digital Age, Application Maestro, CodeGuard, dsPICDEM, dsPICDEM.net, dsPICworks, dsSPEAK, ECAN, ECONOMONITOR, FanSense, HI-TIDE, In-Circuit Serial Programming, ICSP, Mindi, MiWi, MPASM, MPLAB Certified logo, MPLIB, MPLINK, mTouch, Octopus, Omniscient Code Generation, PICC, PICC-18, PICDEM, PICDEM.net, PICkit, PICtail, PIC<sup>32</sup> logo, REAL ICE, rLAB, Select Mode, Total Endurance, TSHARC, UniWinDriver, WiperLock and ZENA are trademarks of Microchip Technology Incorporated in the U.S.A. and other countries.

SQTP is a service mark of Microchip Technology Incorporated in the U.S.A.

All other trademarks mentioned herein are property of their respective companies.

© 2009, Microchip Technology Incorporated, Printed in the U.S.A., All Rights Reserved.

 Printed on recycled paper.

**QUALITY MANAGEMENT SYSTEM**  
**CERTIFIED BY DNV**  
**== ISO/TS 16949:2002 ==**

*Microchip received ISO/TS-16949:2002 certification for its worldwide headquarters, design and wafer fabrication facilities in Chandler and Tempe, Arizona; Gresham, Oregon and design centers in California and India. The Company's quality system processes and procedures are for its PIC® MCUs and dsPIC® DSCs, KEELOQ® code hopping devices, Serial EEPROMs, microperipherals, nonvolatile memory and analog products. In addition, Microchip's quality system for the design and manufacture of development systems is ISO 9001:2000 certified.*



---

---

## WORLDWIDE SALES AND SERVICE

---

---

### AMERICAS

**Corporate Office**  
2355 West Chandler Blvd.  
Chandler, AZ 85224-6199  
Tel: 480-792-7200  
Fax: 480-792-7277  
Technical Support:  
<http://support.microchip.com>  
Web Address:  
[www.microchip.com](http://www.microchip.com)

**Atlanta**  
Duluth, GA  
Tel: 678-957-9614  
Fax: 678-957-1455

**Boston**  
Westborough, MA  
Tel: 774-760-0087  
Fax: 774-760-0088

**Chicago**  
Itasca, IL  
Tel: 630-285-0071  
Fax: 630-285-0075

**Cleveland**  
Independence, OH  
Tel: 216-447-0464  
Fax: 216-447-0643

**Dallas**  
Addison, TX  
Tel: 972-818-7423  
Fax: 972-818-2924

**Detroit**  
Farmington Hills, MI  
Tel: 248-538-2250  
Fax: 248-538-2260

**Kokomo**  
Kokomo, IN  
Tel: 765-864-8360  
Fax: 765-864-8387

**Los Angeles**  
Mission Viejo, CA  
Tel: 949-462-9523  
Fax: 949-462-9608

**Santa Clara**  
Santa Clara, CA  
Tel: 408-961-6444  
Fax: 408-961-6445

**Toronto**  
Mississauga, Ontario,  
Canada  
Tel: 905-673-0699  
Fax: 905-673-6509

### ASIA/PACIFIC

**Asia Pacific Office**  
Suites 3707-14, 37th Floor  
Tower 6, The Gateway  
Harbour City, Kowloon  
Hong Kong  
Tel: 852-2401-1200  
Fax: 852-2401-3431

**Australia - Sydney**  
Tel: 61-2-9868-6733  
Fax: 61-2-9868-6755

**China - Beijing**  
Tel: 86-10-8528-2100  
Fax: 86-10-8528-2104

**China - Chengdu**  
Tel: 86-28-8665-5511  
Fax: 86-28-8665-7889

**China - Hong Kong SAR**  
Tel: 852-2401-1200  
Fax: 852-2401-3431

**China - Nanjing**  
Tel: 86-25-8473-2460  
Fax: 86-25-8473-2470

**China - Qingdao**  
Tel: 86-532-8502-7355  
Fax: 86-532-8502-7205

**China - Shanghai**  
Tel: 86-21-5407-5533  
Fax: 86-21-5407-5066

**China - Shenyang**  
Tel: 86-24-2334-2829  
Fax: 86-24-2334-2393

**China - Shenzhen**  
Tel: 86-755-8203-2660  
Fax: 86-755-8203-1760

**China - Wuhan**  
Tel: 86-27-5980-5300  
Fax: 86-27-5980-5118

**China - Xiamen**  
Tel: 86-592-2388138  
Fax: 86-592-2388130

**China - Xian**  
Tel: 86-29-8833-7252  
Fax: 86-29-8833-7256

**China - Zhuhai**  
Tel: 86-756-3210040  
Fax: 86-756-3210049

### ASIA/PACIFIC

**India - Bangalore**  
Tel: 91-80-3090-4444  
Fax: 91-80-3090-4080

**India - New Delhi**  
Tel: 91-11-4160-8631  
Fax: 91-11-4160-8632

**India - Pune**  
Tel: 91-20-2566-1512  
Fax: 91-20-2566-1513

**Japan - Yokohama**  
Tel: 81-45-471- 6166  
Fax: 81-45-471-6122

**Korea - Daegu**  
Tel: 82-53-744-4301  
Fax: 82-53-744-4302

**Korea - Seoul**  
Tel: 82-2-554-7200  
Fax: 82-2-558-5932 or  
82-2-558-5934

**Malaysia - Kuala Lumpur**  
Tel: 60-3-6201-9857  
Fax: 60-3-6201-9859

**Malaysia - Penang**  
Tel: 60-4-227-8870  
Fax: 60-4-227-4068

**Philippines - Manila**  
Tel: 63-2-634-9065  
Fax: 63-2-634-9069

**Singapore**  
Tel: 65-6334-8870  
Fax: 65-6334-8850

**Taiwan - Hsin Chu**  
Tel: 886-3-6578-300  
Fax: 886-3-6578-370

**Taiwan - Kaohsiung**  
Tel: 886-7-536-4818  
Fax: 886-7-536-4803

**Taiwan - Taipei**  
Tel: 886-2-2500-6610  
Fax: 886-2-2508-0102

**Thailand - Bangkok**  
Tel: 66-2-694-1351  
Fax: 66-2-694-1350

### EUROPE

**Austria - Wels**  
Tel: 43-7242-2244-39  
Fax: 43-7242-2244-393

**Denmark - Copenhagen**  
Tel: 45-4450-2828  
Fax: 45-4485-2829

**France - Paris**  
Tel: 33-1-69-53-63-20  
Fax: 33-1-69-30-90-79

**Germany - Munich**  
Tel: 49-89-627-144-0  
Fax: 49-89-627-144-44

**Italy - Milan**  
Tel: 39-0331-742611  
Fax: 39-0331-466781

**Netherlands - Drunen**  
Tel: 31-416-690399  
Fax: 31-416-690340

**Spain - Madrid**  
Tel: 34-91-708-08-90  
Fax: 34-91-708-08-91

**UK - Wokingham**  
Tel: 44-118-921-5869  
Fax: 44-118-921-5820