

International IOR Rectifier

MURD620CT

Ultrafast Rectifier

Features

- Ultrafast Recovery Time
- Low Forward Voltage Drop
- Low Leakage Current
- 175°C Operating Junction Temperature

$$t_{rr} = 25\text{ns}$$

$$I_{F(AV)} = 6\text{Amp}$$

$$V_R = 200\text{V}$$

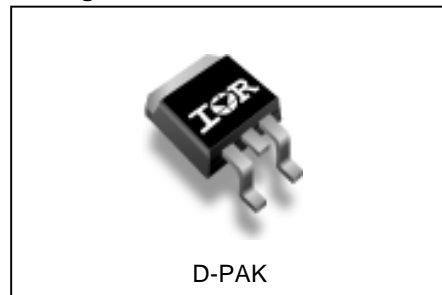
Description/ Applications

International Rectifier's MUR.. series are the state of the art Ultra fast recovery rectifiers specifically designed with optimized performance of forward voltage drop and ultra fast recovery time. The planar structure and the platinum doped life time control, guarantee the best overall performance, ruggedness and reliability characteristics.

These devices are intended for use in the output rectification stage of SMPS, UPS, DC-DC converters as well as free-wheeling diode in low voltage inverters and chopper motor drives.

Their extremely optimized stored charge and low recovery current minimize the switching losses and reduce over dissipation in the switching element and snubbers.

Package Outline



Absolute Maximum Ratings

Parameters		Max	Units
V_{RRM}	Peak Repetitive Peak Reverse Voltage	200	V
$I_{F(AV)}$	Average Rectified Forward Current Total Device, (Rated V_R), $T_C = 146^\circ\text{C}$	6	A
I_{FSM}	Non Repetitive Peak Surge Current	50	
I_{FM}	Peak Repetitive Forward Current (Rated V_R , Square wave, 20 KHz), $T_C = 146^\circ\text{C}$	6	
T_J, T_{STG}	Operating Junction and Storage Temperatures	- 65 to 175	$^\circ\text{C}$

Electrical Characteristics @ T_J = 25°C (unless otherwise specified)

Parameters	Min	Typ	Max	Units	Test Conditions
V _{BR} , V _r Breakdown Voltage, Blocking Voltage	200	-	-	V	I _R = 100μA
V _F Forward Voltage	-	-	1.0	V	I _F = 3A
	-	-	0.96	V	I _F = 3A, T _J = 125°C
	-	-	1.2	V	I _F = 6A
	-	-	1.13	V	I _F = 6A, T _J = 125°C
I _R Reverse Leakage Current	-	-	5	μA	V _R = V _R Rated
	-	-	250	μA	T _J = 125°C, V _R = V _R Rated
C _T Junction Capacitance	-	12	-	pF	V _R = 200V
L _S Series Inductance	-	8.0	-	nH	Measured lead to lead 5mm from package body

Dynamic Recovery Characteristics @ T_J = 25°C (unless otherwise specified)

Parameters	Min	Typ	Max	Units	Test Conditions
t _{rr} Reverse Recovery Time	-	-	35	ns	I _F = 1.0A, di _F /dt = 50A/μs, V _R = 30V
	-	-	25		I _F = 0.5A, I _R = 1.0A, I _{REC} = 0.25A
	-	19	-		T _J = 25°C
	-	26	-		T _J = 125°C
I _{RRM} Peak Recovery Current	-	3.1	-	A	T _J = 25°C
	-	4.6	-		T _J = 125°C
Q _{rr} Reverse Recovery Charge	-	30	-	nC	T _J = 25°C
	-	60	-		T _J = 125°C

Thermal - Mechanical Characteristics

Parameters	Min	Typ	Max	Units
T _J Max. Junction Temperature Range	-	-	- 65 to 175	°C
T _{Stg} Max. Storage Temperature Range	-	-	- 65 to 175	
R _{thJC} Thermal Resistance, Junction to Case			9.0	°C/W
R _{thJA} ^① Thermal Resistance, Junction to Ambient			80	
R _{thCS} ^② Thermal Resistance, Case to Heatsink			-	
Wt Weight	-	0.3	-	g
	-	0.01	-	(oz)
Mounting Torque	6.0	-	12	Kg-cm
	5.0	-	10	lbf.in

① Typical Socket Mount

② Mounting Surface, Flat, Smooth and Greased

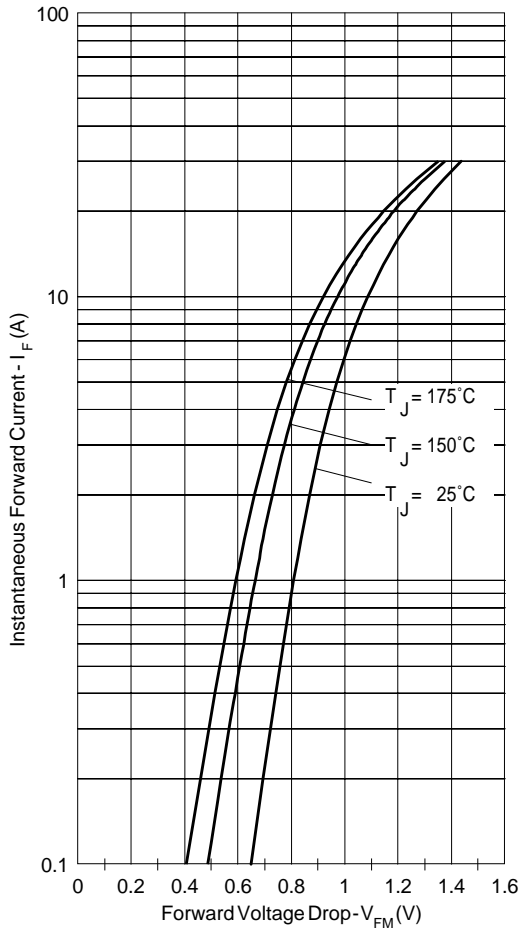


Fig. 1 - Typical Forward Voltage Drop Characteristics

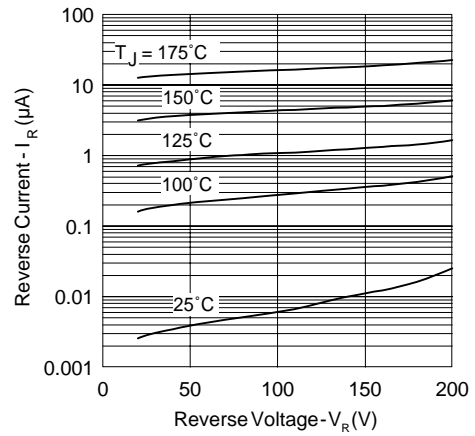


Fig. 2 - Typical Values Of Reverse Current Vs. Reverse Voltage

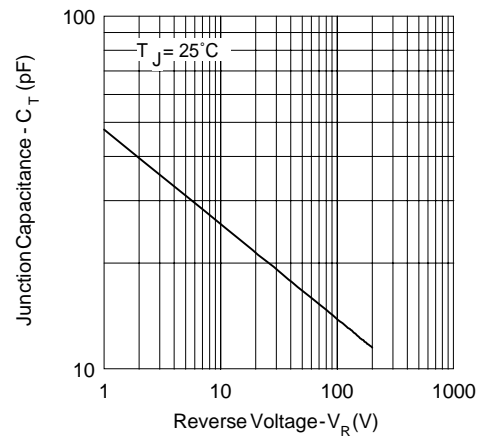


Fig. 3 - Typical Junction Capacitance Vs. Reverse Voltage

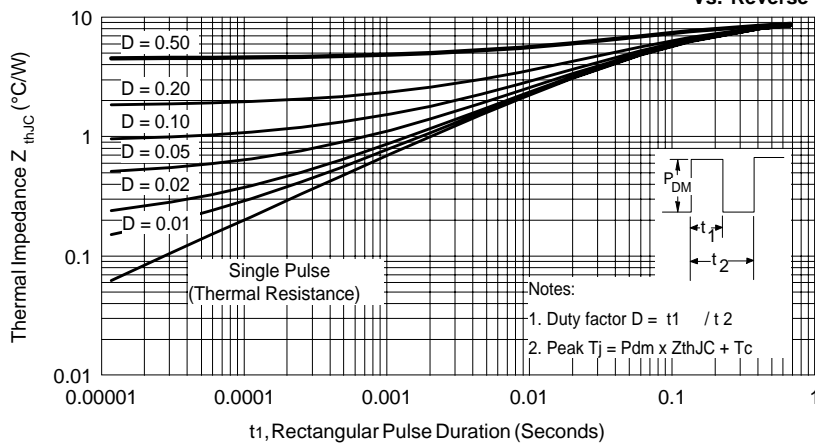


Fig. 4 - Max. Thermal Impedance Z_{thJC} Characteristics

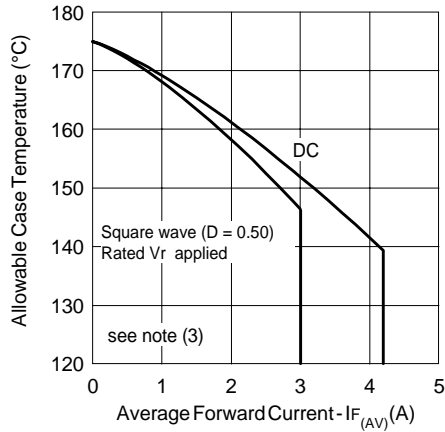


Fig. 5 - Max. Allowable Case Temperature Vs. Average Forward Current

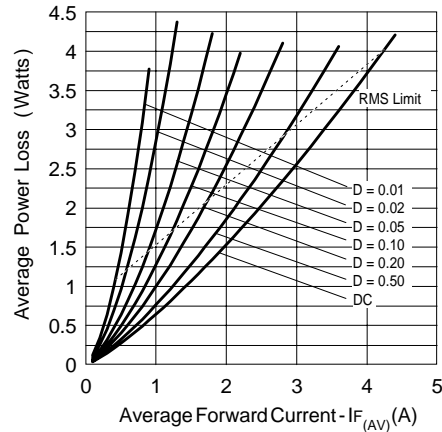


Fig. 6 - Forward Power Loss Characteristics

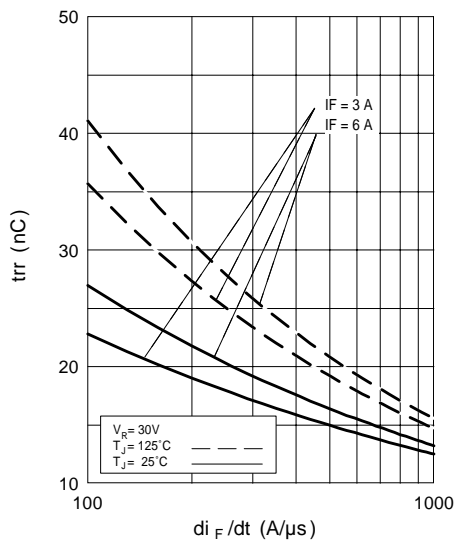


Fig. 7 - Typical Reverse Recovery vs. di_F/dt

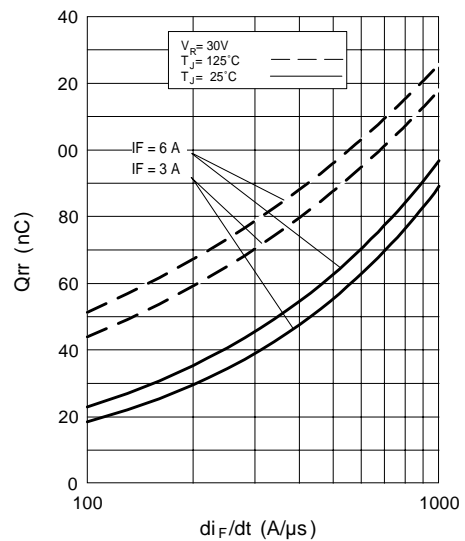


Fig. 8 - Typical Stored Charge vs. di_F/dt

- (3) Formula used: $T_C = T_J - (Pd + Pd_{REV}) \times R_{thJC}$;
 $Pd = \text{Forward Power Loss} = I_{F(AV)} \times V_{FM} @ (I_{F(AV)} / D)$ (see Fig. 6);
 $Pd_{REV} = \text{Inverse Power Loss} = V_{R1} \times I_R (1 - D); I_R @ V_{R1} = \text{rated } V_R$

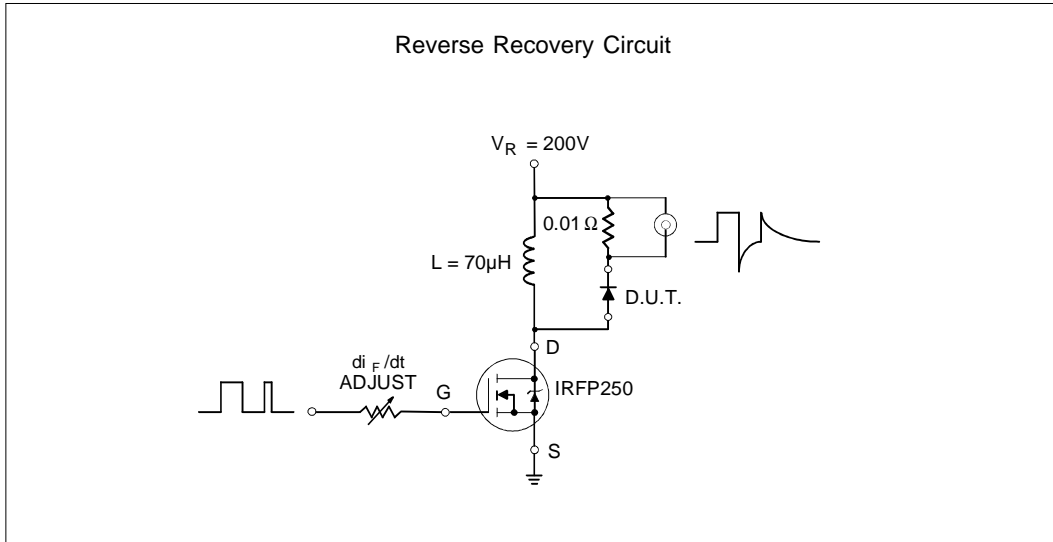


Fig. 9- Reverse Recovery Parameter Test Circuit

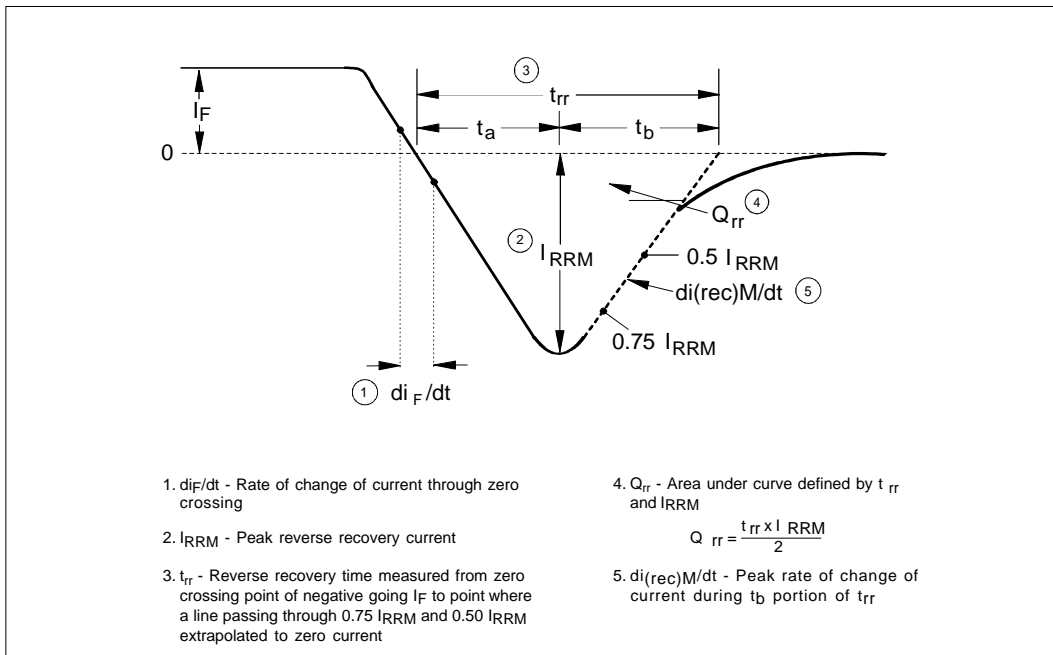
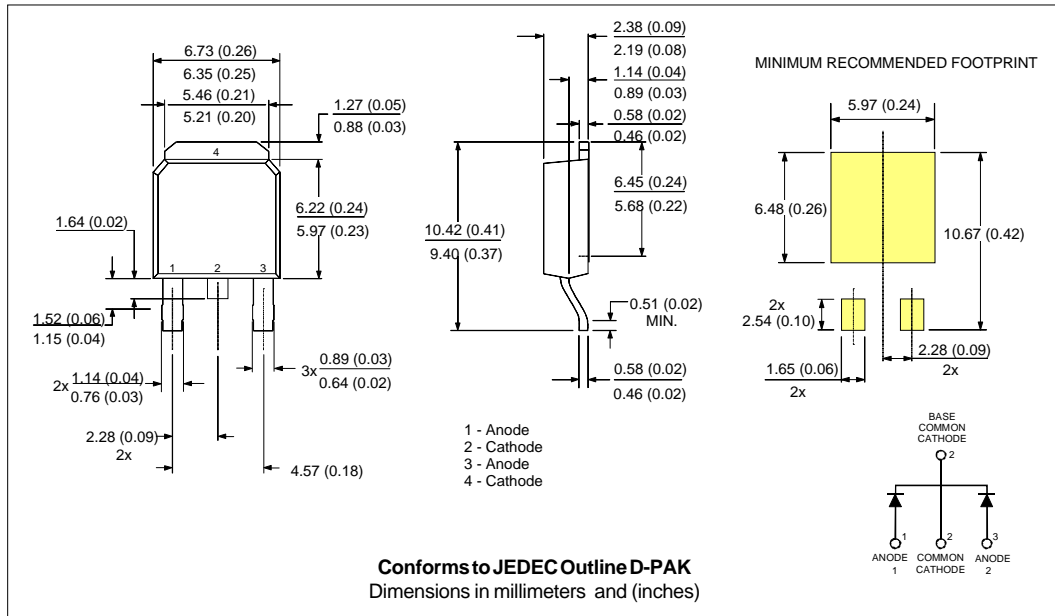


Fig. 10 - Reverse Recovery Waveform and Definitions

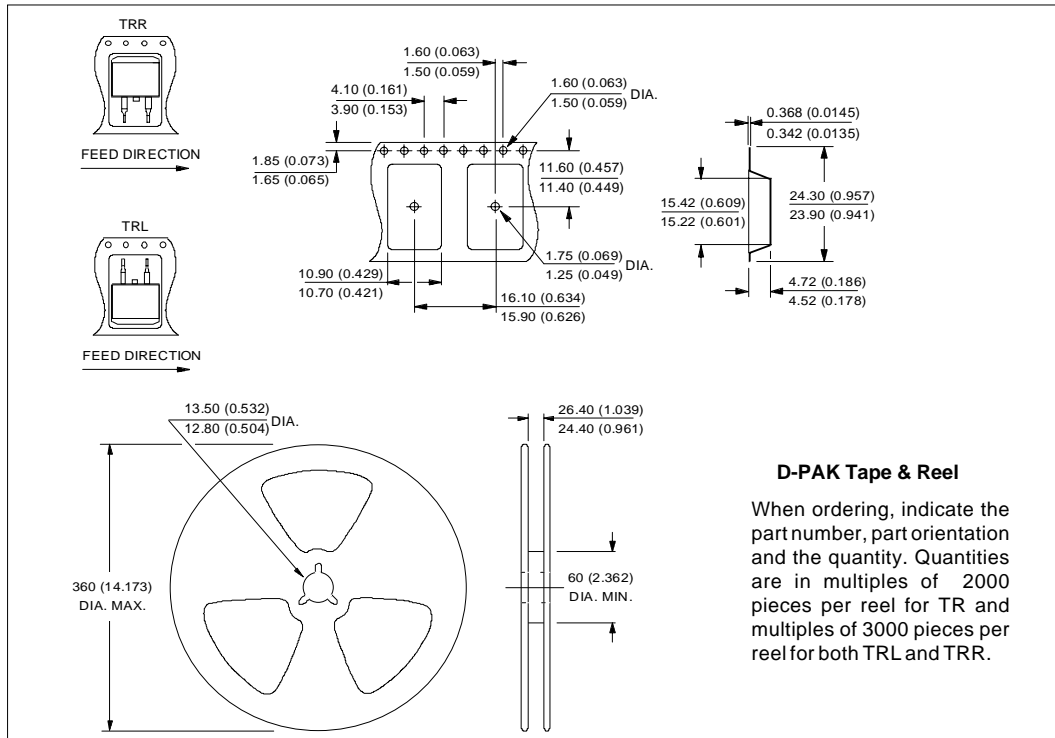
MURD620CT

Bulletin PD-20737 rev. B 10/02

Outline Table



Tape & Reel Information



Ordering Information Table

Device Code																
	<table border="1" style="display: inline-table; border-collapse: collapse;"> <tr> <td style="padding: 5px;">MUR</td> <td style="padding: 5px;">D</td> <td style="padding: 5px;">6</td> <td style="padding: 5px;">20</td> <td style="padding: 5px;">CT</td> <td style="padding: 5px;">TRL</td> </tr> </table>	MUR	D	6	20	CT	TRL									
MUR	D	6	20	CT	TRL											
	<table style="display: inline-table; border: none;"> <tr> <td style="text-align: center; border: 1px solid black; border-radius: 50%; width: 20px; height: 20px;">1</td> <td style="text-align: center; border: 1px solid black; border-radius: 50%; width: 20px; height: 20px;">2</td> <td style="text-align: center; border: 1px solid black; border-radius: 50%; width: 20px; height: 20px;">3</td> <td style="text-align: center; border: 1px solid black; border-radius: 50%; width: 20px; height: 20px;">4</td> <td style="text-align: center; border: 1px solid black; border-radius: 50%; width: 20px; height: 20px;">5</td> <td style="text-align: center; border: 1px solid black; border-radius: 50%; width: 20px; height: 20px;">6</td> </tr> </table>	1	2	3	4	5	6									
1	2	3	4	5	6											
<table style="border: none;"> <tr> <td style="background-color: black; color: white; padding: 2px 5px; text-align: center; width: 20px;">1</td> <td style="padding-left: 10px;">- Ultrafast MUR Series</td> </tr> <tr> <td style="background-color: black; color: white; padding: 2px 5px; text-align: center;">2</td> <td style="padding-left: 10px;">- D = D-Pak</td> </tr> <tr> <td style="background-color: black; color: white; padding: 2px 5px; text-align: center;">3</td> <td style="padding-left: 10px;">- Current Rating (6 = 6A)</td> </tr> <tr> <td style="background-color: black; color: white; padding: 2px 5px; text-align: center;">4</td> <td style="padding-left: 10px;">- Voltage Rating (20 = 200V)</td> </tr> <tr> <td style="background-color: black; color: white; padding: 2px 5px; text-align: center;">5</td> <td style="padding-left: 10px;">- CT = Center Tap (Dual)</td> </tr> <tr> <td style="background-color: black; color: white; padding: 2px 5px; text-align: center;">6</td> <td style="padding-left: 10px;">- Tape & Reel Suffix</td> </tr> </table>	1	- Ultrafast MUR Series	2	- D = D-Pak	3	- Current Rating (6 = 6A)	4	- Voltage Rating (20 = 200V)	5	- CT = Center Tap (Dual)	6	- Tape & Reel Suffix	<table border="1" style="border-collapse: collapse;"> <tr> <td style="padding: 5px;">TR = Tape & Reel</td> </tr> <tr> <td style="padding: 5px;">TRL = Tape & Reel (Left Oriented)</td> </tr> <tr> <td style="padding: 5px;">TRR = Tape & Reel (Right Oriented)</td> </tr> </table>	TR = Tape & Reel	TRL = Tape & Reel (Left Oriented)	TRR = Tape & Reel (Right Oriented)
1	- Ultrafast MUR Series															
2	- D = D-Pak															
3	- Current Rating (6 = 6A)															
4	- Voltage Rating (20 = 200V)															
5	- CT = Center Tap (Dual)															
6	- Tape & Reel Suffix															
TR = Tape & Reel																
TRL = Tape & Reel (Left Oriented)																
TRR = Tape & Reel (Right Oriented)																

Data and specifications subject to change without notice.
 This product has been designed and qualified for Industrial Level.
 Qualification Standards can be found on IR's Web site.