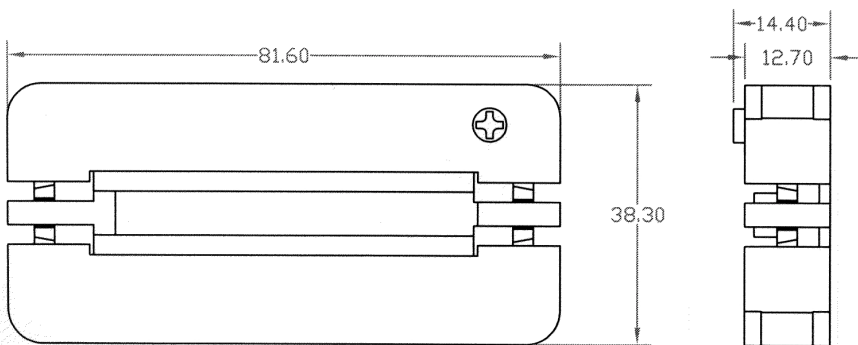


### Product Description

Version 21/15

Item no. 16 82 03



1. Ideal for breadboard
2. Anti-static
3. Suitable for IC from 8 pin ~20 pin and 24~48 pin
4. Weight: 25g