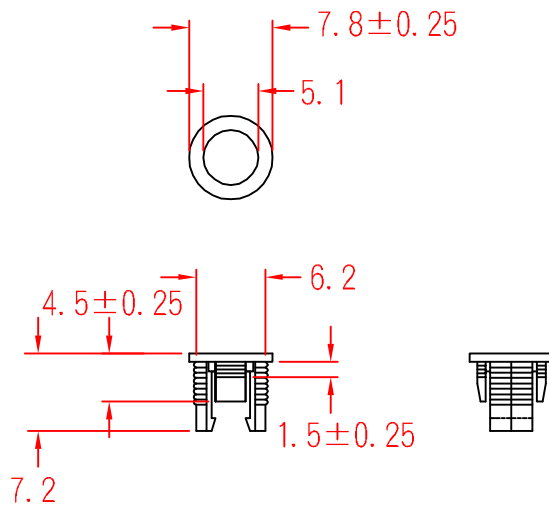


PCL-5A



		MATERIAL	UL 94V-2	ITEM NO.	PCL-5A	
SCALE		FINISH		NAME	LED HOLDER	
\triangle	(. .)	TOLERANCE	$\pm 0.5\text{mm}$	\triangle	05-21-2004 DATE	REVISIONS K001
						R.NO.

