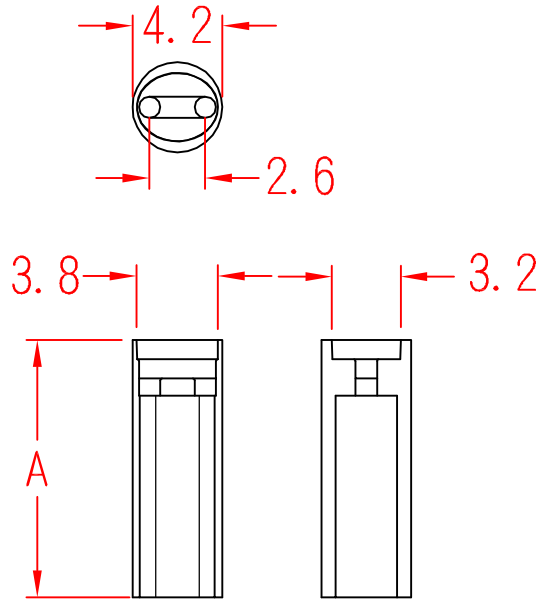


LD3 TYPE



ITEM NO.	A
LD3-6	6.1
LD3-9	9.0
LD3-12	12.0
LD3-16	16.0
LD3-19	15.0

MATERIAL		UL 94V-2	ITEM NO.	LD3 TYPE	
		NYLON66			
SCALE		FINISH	NAME	LED HOLDER	
△	(. . .)	TOLERANCE ±0.5mm	△	11-30-2006 DATE	REVISIONS K001
					R.NO.

