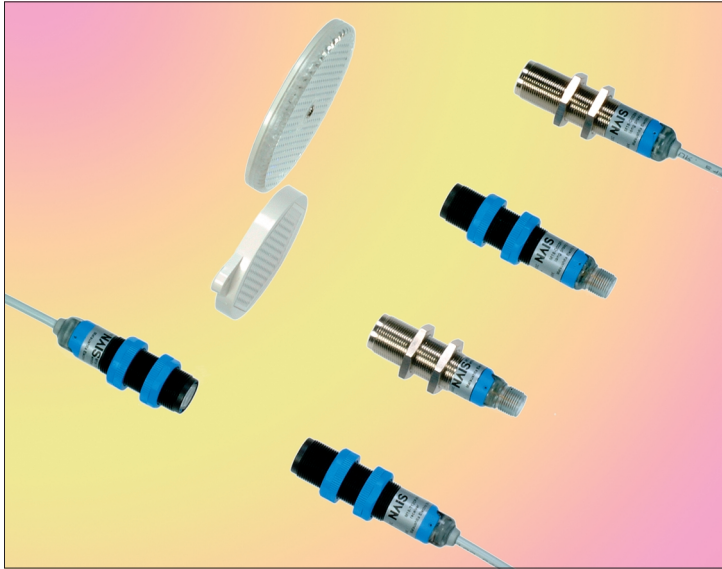


M18 SERIES



Cost-Effective Cylindrical Photoelectrical Sensors



Cylindrical Type – Complete Range of M18 Sensors

CE Marked
Conforming to EMC Directive

Cost-Effective

Thanks to a fully automated production line, M18 Series Sensors offer an excellent quality at low cost. With their widely-used M18 cylindrical shape, they grant for a quick and easy installation.

Complete Range

- Metal or plastic housing
- PNP or NPN output
- Connector or cable type
- Thru beam, retroreflective with or without polarizing filter and diffuse reflective type available
- Various cables, reflectors and holders

Sensitivity Adjuster

(M18-P... and M18-D... only)



ORDER GUIDE

Type	Appearance	Sensing range	Model No. Plastic	Model No. Metal	Output	Terminal
Thru-beam			M18-T120P-PN	M18-T120M-PN	PNP	Wire
			M18-T120P	M18-T120M	NPN	
			M18-T120P-PN-J	M18-T120M-PN-J	PNP	Connector
			M18-T120P-J	M18-T120M-J	NPN	
Retroreflective With polarizing filters			M18-R020P-PN	M18-R020M-PN	PNP	Wire
			M18-R020P	M18-R020M	NPN	
			M18-R020P-PN-J	M18-R020M-PN-J	PNP	Connector
			M18-R020P-J	M18-R020M-J	NPN	
			M18-P015P-PN	M18-P015M-PN	PNP	Wire
			M18-P015P	M18-P015M	NPN	
			M18-P015P-PN-J	M18-P015M-PN-J	PNP	Connector
			M18-P015P-J	M18-P015M-J	NPN	
Diffuse reflective			M18-D003P-PN	M18-D003M-PN	PNP	Wire
			M18-D003P	M18-D003M	NPN	
			M18-D003P-PN-J	M18-D003M-PN-J	PNP	Connector
			M18-D003P-J	M18-D003M-J	NPN	

NOTE: Reflector is not supplied with the retroreflective type sensor. Please select the suitable reflector from the options.

SPECIFICATIONS

Type	Thru-beam		Retroreflective				Diffuse reflective	
	Plastic	Metal	Plastic	Metal	With polarizing filters		Plastic	Metal
					Plastic	Metal		
PNP cable	M18-T120P-PN	M18-T120M-PN	M18-R020P-PN	M18-R020M-PN	M18-P015P-PN	M18-P015M-PN	M18-D003P-PN	M18-D003M-PN
NPN cable	M18-T120P	M18-T120M	M18-R020P	M18-R020M	M18-P015P	M18-P015M	M18-D003P	M18-D003M
PNP connector M12	M18-T120P-PN-J	M18-T120M-PN-J	M18-R020P-PN-J	M18-R020M-PN-J	M18-P015P-PN-J	M18-P015M-PN-J	M18-D003P-PN-J	M18-D003M-PN-J
NPN connector M12	M18-T120P-J	M18-T120M-J	M18-R020P-J	M18-R020M-J	M18-P015P-J	M18-P015M-J	M18-D003P-J	M18-D003M-J
Sensing range	12m		0.1m to 2m *1)		0.1m to 1.5m *1)		1cm to 30 cm	
Sensing object	φ5mm or more opaque object		φ35mm or more opaque or translucent object		φ7.5mm or more opaque or translucent object		φ5mm or more opaque or translucent object	
Repeatability	0.1mm or less		0.2mm or less		0.2mm or less		0.5mm or less (setting distance: 30cm)	
Supply voltage	10 to 30V DC, reverse polarity protected							
Current consumption	max. 30mA							
Sensitivity adjuster	Not equipped				equipped			
Output	max. 100mA Short circuit protection							
Output operation	Dark-ON / Light-ON (selectable via wiring)							
Response time	2ms		1ms					
Operation indicator	Yellow LED							
Emission indicator	Green LED							
Pollution degree	3 (Industrial environment)							
Protection	IP67							
Ambient temperature	-25 to +55°C (No dew condensation or icing allowed), Storage:-25 to +70°C							
Ambient humidity	35 to 85% RH							
Ambient illuminance	5,000 lx							
EMC	EN50082-1, EN61000-6-2, EN50081-2							
Voltage withstandability	500V AC for 1 minute							
Insulation resistance	20MΩ, or more, with 250VDC							
Vibration resistance	10 to 55Hz, 1 cycle/min., double amplitude 0.75mm, 10 min. on 3 axes							
Shock resistance	10G min., 4 times on 3 axes							
Emitting element	Infrared LED				Red LED		Infrared LED	
Material	Plastic type: ABS; Metal type: nickel-plated brass							
Optical Material	PMMA plastic							
Connection Method	4-core cable 2m long; or M12 connector (-J)							
Cable extension	Extension up to total 100m possible with 0.34mm ² , or more, cable (thru-beam type: both emitter and receiver)							
Weight	max.210g		max. 110g					

*1) with M18-RF48

OPTIONS

M18-RF48	Plastic Reflector, 48 mm
M18-RF75	Plastic Reflector, 75 mm
M18-SPS	M18 Mounting Bracket, Plastic, Flexible
M18-SPF	M18 Mounting Bracket, Plastic, Fixed
M18-ST20	M18 Mounting Bracket, Metal, L Shape 20 mm
M18-ST43	M18 Mounting Bracket, Metal, L Shape 43 mm
UZZ81220D	2m cable with M12 connector
UZZ81221D	2m cable with M12 connector, ellbow
UZZ81250D	5m cable with M12 connector
UZZ81251D	5m cable with M12 connector, ellbow

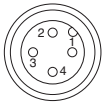
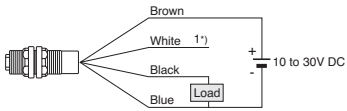


NOTE: Reflector is not supplied with the retroreflective type sensor. Please select the suitable reflector from the options.

M18

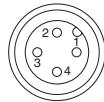
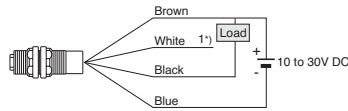
I/O WIRING DIAGRAMS

PNP output type



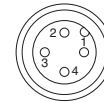
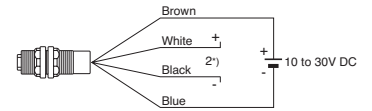
- 1 10-30VDC
- 2 Light/Dark
- 3 NO output
- 4 0V

NPN output type



- 1 10-30VDC
- 2 Light/Dark
- 3 NO output
- 4 0V

Emitter of thru-beam type



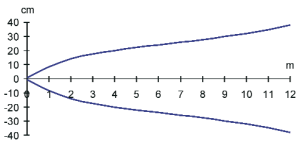
- 1 10-30VDC
- 2 Test +
- 3 Test -
- 4 0V

1* With the white wire not connected the diffuse reflective models function in the light mode and the retroreflective and thru-beam models in the dark mode; the light mode can be selected connecting the white wire to +VDC, the dark mode connecting it to 0VDC

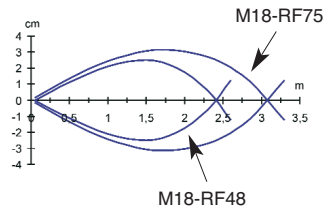
2* Emitter off with Test+ on VDC and Test- on 0V

SENSING CHARACTERISTICS (TYPICAL)

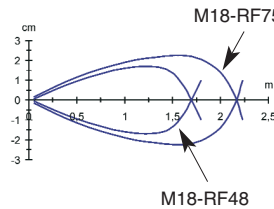
M18-T120 Thru beam



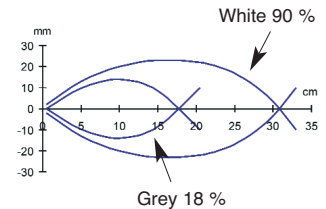
M18-R020 Retroreflective



M18-P015 Retroreflective with polarizing filter

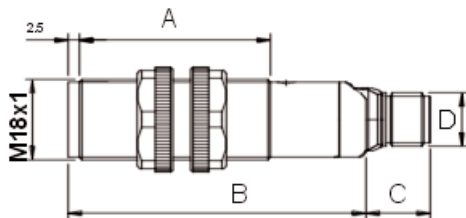


M18-D003 Diffuse reflective



DIMENSIONS (Unit: mm)

Sensors



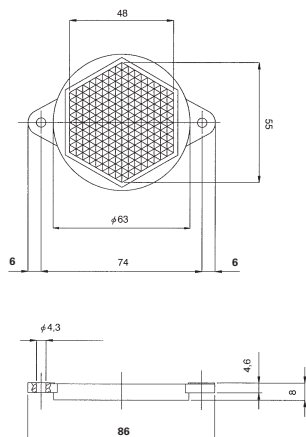
Product	A (mm)	B (mm)	C (mm)	D (mm)
M18-T120-J (Receiver)	38	57	14,5	M12
M18-T120-J (Emitter)	43	67	14,5	M12
M18-T120 (Receiver)	38	57	10	φ 4
M18-T120 (Emitter)	43	67	14,5	φ 4
M18-R020-J	38	57	10	M12
M18-R020	38	57	10	φ 4
M18-P015-J	43	67	14,5	M12
M18-P015	43	67	14,5	φ 4
M18-D003-J	43	67	14,5	M12
M18-D003	43	67	14,5	φ 4

NOTE: Reflector is not supplied with the retroreflective type sensor. Please select the suitable reflector from the options.

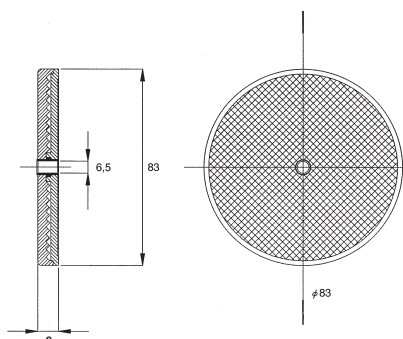
DIMENSIONS (Unit: mm)

Accessories

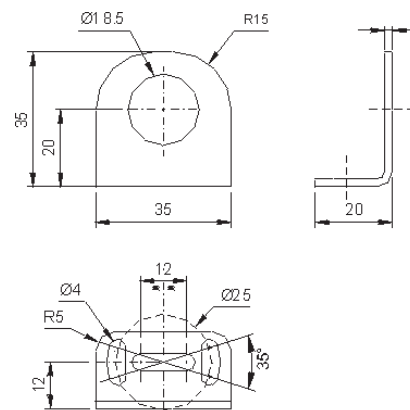
M18-RF48



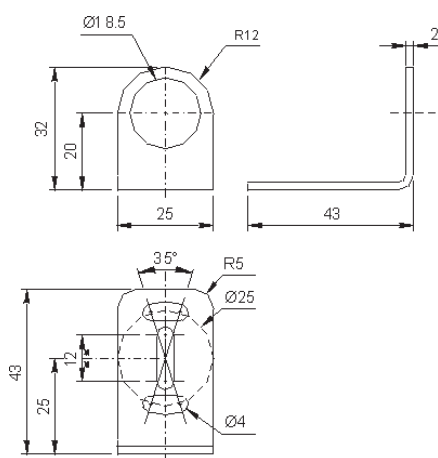
M18-RF75



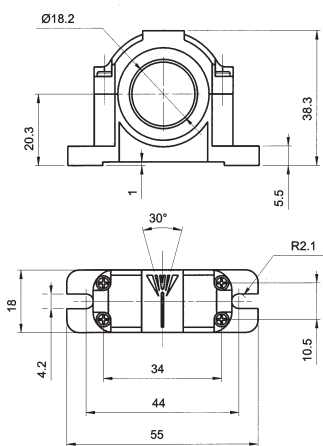
M18-ST20



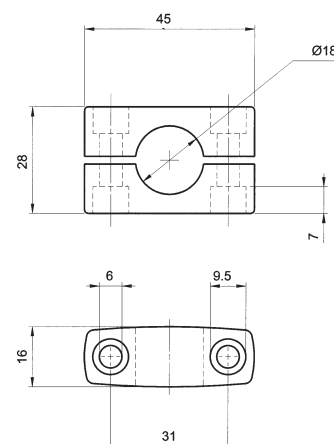
M18-ST43



M18-SPS



M18-SPF



Matsushita Electric Works

Please contact our Global Sales Companies in:



Europe

▶ Europe	Matsushita Electric Works (Europe) AG	Rudolf-Diesel-Ring 2, D-83607 Holzkirchen, Tel. (08024) 648-0, Fax (08024) 648-111, www.mew-europe.com
▶ Austria	Matsushita Electric Works Austria GmbH	Josef Madersperger Straße 2, A-2362 Biedermannsdorf, Tel. (0 22 36) 2 68 46, Fax (0 22 36) 4 61 33, www.matsushita.at
▶ Benelux	Matsushita Electric Works Benelux B.V.	De Rijn 4, (Postbus 211), 5684 PJ Best, (5680 AE Best), Netherlands, Tel. (0499) 372727, Fax (0499) 372185, www.matsushita.nl or www.matsushita.be
▶ France	Matsushita Electric Works France S.A.R.L.	B.P. 44, F-91371 Verrières le Buisson CEDEX, Tel. 01 60135757, Fax 01 60135758, www.matsushita-france.fr
▶ Germany	Matsushita Electric Works Deutschland GmbH	Rudolf-Diesel-Ring 2, D-83607 Holzkirchen, Tel. (08024) 648-0, Fax (08024) 648-555, www.matsushita.de
▶ Ireland	Matsushita Electric Works UK Ltd.	Irish Branch Office, Waverley, Old Naas Road, Bluebell, Dublin 12, Republic of Ireland, Tel: (01) 4600969, Fax: (01) 4601131, www.matsushita.ie
▶ Italy	Matsushita Electric Works Italia s.r.l.	Via del Commercio 3-5 (Z.I. Ferlina), I-37012 Bussolengo (VR), Tel. (045) 6752711, Fax (045) 6700444, www.matsushita.it
▶ Portugal	Matsushita Electric Works España S.A.	Portuguese Branch Office, Avda 25 de Abril, Edificio Alvorada 5ºE, 2750-512 Cascais, Portugal, Tel. (21) 4828266, Fax (21) 4827421
▶ Scandinavia	Matsushita Electric Works Scandinavia AB	Sjöängsvägen 10, 19272 Sollentuna, Sweden, Tel. (08) 59476680, Fax (08) 59476690, www.matsushita.se
▶ Spain	Matsushita Electric Works España S.A.	Parque Empresarial Barajas, San Severo 20, 28042 Madrid, Tel. (91) 3293875, Fax (91) 3292976, www.matsushita.es
▶ Switzerland	Matsushita Electric Works Schweiz AG	Grundstrasse 8, CH-6343 Rotkreuz, Tel. (041) 7997050, Fax (041) 7997055, www.matsushita.ch
▶ United Kingdom	Matsushita Electric Works UK Ltd.	Sunrise Parkway, Linford Wood East, Milton Keynes, MK14 6LF, England, Tel. (01908) 231555, Fax (01908) 231599, www.matsushita.co.uk

North & South America

▶ USA	Aromat Corporation Head Office USA	629 Central Avenue, New Providence, N.J. 07974, Tel. 1-908-464-3550, Fax 1-908-464-8513, www.aromat.com
-------	---	---

Asia

▶ China	Matsushita Electric Works Ltd. China Office	2013, Beijing Fortune, Building No. 5, Dong San Huan Bei Lu, Chaoyang District, Beijing, Tel. 86-10-6590-8646, Fax 86-10-6590-8647
▶ Hong Kong	Matsushita Electric Works Ltd. Hong Kong	Rm1601, 16/F, Tower 2, The Gateway, 25 Canton Road, Tsimshatsui, Kowloon, Hong Kong, Tel. (852) 2956-3118, Fax (852) 2956-0398
▶ Japan	Matsushita Electric Works Ltd.	1048 Kadoma, Kadoma-shi, Osaka 571-8686, Japan, Tel. 06-6908-1050, Fax 06-6908-5781, www.mew.co.jp/e-acg/
▶ Singapore	Matsushita Electric Works (Asia Pacific) Pte. Ltd.	101 Thomson Road, #25-03/05, United Square, Singapore 307591, Tel. (65) 6255-5473, Fax (65) 6253-5689