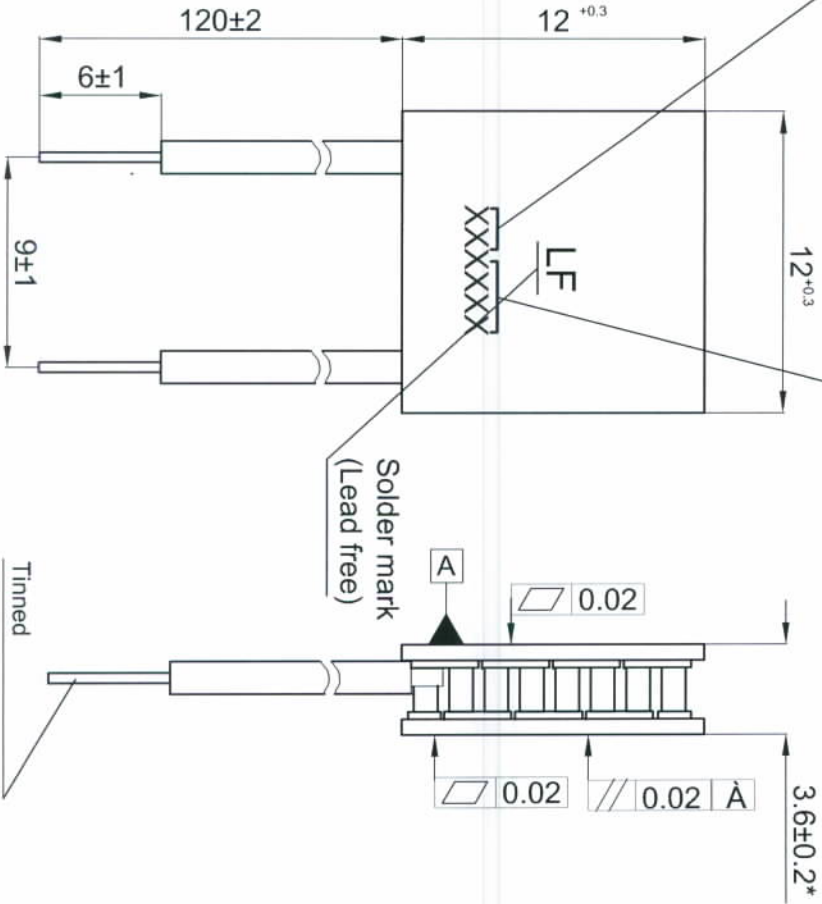


First two digits is a spec. code

The rest is a lot #



Technical Data	
V max	2.1 V
Q max	4.6 W
ΔT max	71°
I max	3.9 A
R	0.410hm
Lead wires	20 AWG Teflon insulation
Sealing	No Sealing
Solder	Lead Free
Ceramics	Al ₂ O ₃ , white 96%
Maximum processing temperature	170°C
Tolerances for thermal and electrical parameters ±10%	
*Close height tolerance ±0.02 -upon request	

Thermoelectric module
QC-17-1.0-3.9 M

Drawing № **ND 023.00.00 C-3**