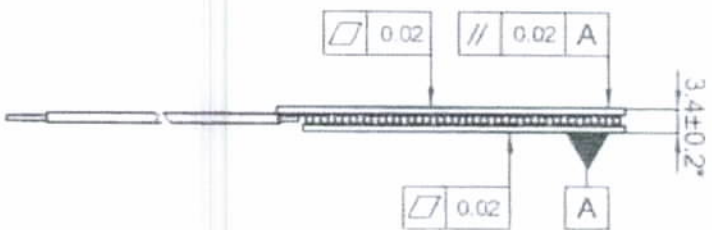
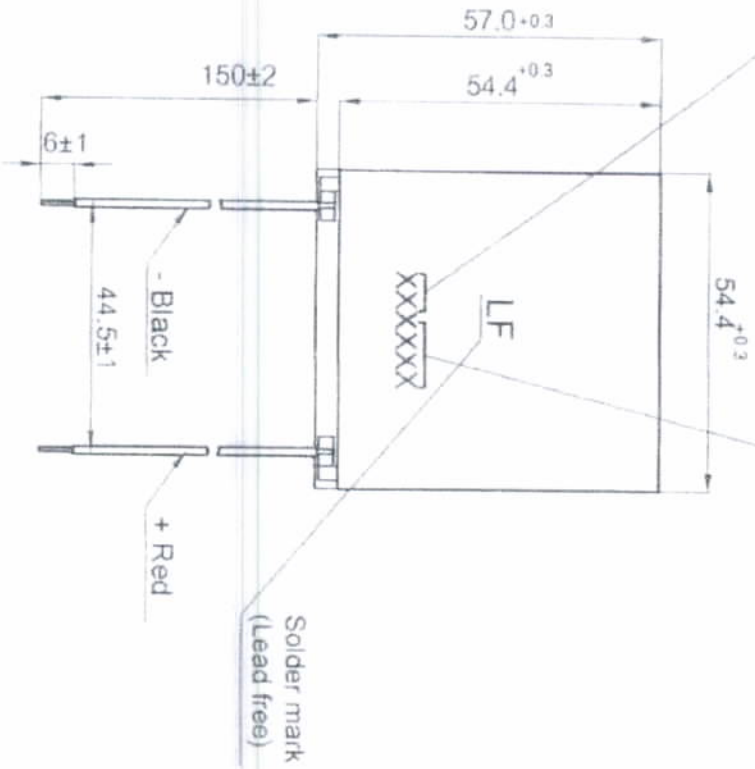


First two digits is a spec. code

The rest is a lot #



Technical Data

V max	27.7 V	✓
Q max	135 W	✓
ΔT max	72 °C	✓
I max	8.5 A	✓
R	2.9 Ohm	
Lead wires	20 AWG, PVC insulation	
Sealing	No sealing	
Solder	Lead free, M.P. ≥ 227 °C	
Ceramics Al ₂ O ₃ , white 98%		
Maximum processing temperature 180 °C		
Tolerances for thermal and electrical parameters ±10%		
This product is compliant to RoHS (2002/95/EC)		
* Close height tolerance ±0.02 -upon request		

ND 100.00.00 C-3

Thermoelectric module

QC -241-1.4-8.5 M

Rev	Sheet	No doc	Sign	Date
Design	Melnikov			4.2.16
Check	Semenov			4.2.16
Tech. check				
Appl.	Sidorenko			

LT	Mass	Scale
Sheet	Sheets	