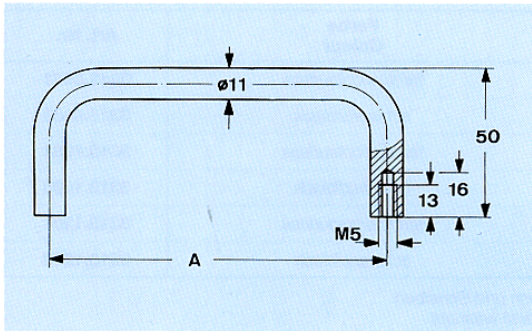


Meßgerätegriffe aus Rundmaterial

Instrument Handles out of Round Material

| Werkstoffe | | Materials | |
|---------------|-------|-------------------|-------|
| Aluminium | | Aluminium | |
| Belastbarkeit | 650 N | Carrying capacity | 650 N |



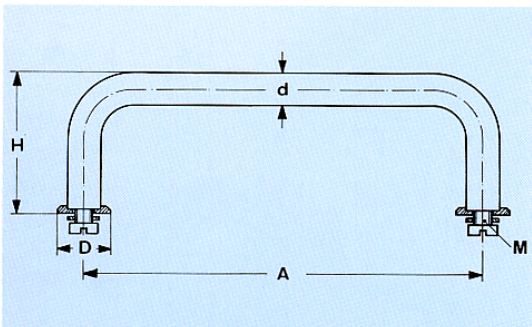
farblos eloxiert / colourless anodized

| A | Gewicht Weight | Art.-Nr. |
|------|----------------|------------------|
| 55 | 34 gr. | 3280.1101 |
| 88 | 42 gr. | 3280.1201 |
| 86,4 | 39 gr. | 3280.1611 |
| 100 | 45 gr. | 3280.1601 |
| 120 | 50 gr. | 3280.1301 |
| 180 | 66 gr. | 3280.1401 |
| 200 | 71 gr. | 3280.1701 |
| 235 | 80 gr. | 3280.1501 |

matt schwarz eloxiert / mat black anodized

| A | Gewicht Weight | Art.-Nr. |
|-----|----------------|------------------|
| 55 | 34 gr. | 3280.1103 |
| 88 | 42 gr. | 3280.1203 |
| 100 | 45 gr. | 3280.1603 |
| 120 | 50 gr. | 3280.1303 |
| 180 | 66 gr. | 3280.1403 |
| 200 | 71 gr. | 3280.1703 |
| 235 | 80 gr. | 3280.1503 |

| Werkstoffe | | Materials | |
|---|---------------------------------|--|---------------------------------|
| Stahl, hochglanz verchromt oder schwarz pulverbeschichtet | | Steel, high gloss chromium plated or powder coated black | |
| Belastbarkeit | M3=300 N / M4=400 N / M5=1000 N | Carrying capacity | M3=300 N / M4=400 N / M5=1000 N |



| A | H | M | d | D | Gewicht weight | Art. Nr. Chrom | Art. Nr. Schwarz black |
|-----|----|----|------------------|----|----------------|------------------|------------------------|
| 55 | 29 | M4 | $\varnothing 7$ | 11 | 30 gr. | 270.1 | 3270.0553 |
| 88 | 32 | M4 | $\varnothing 8$ | 12 | 55 gr. | 270.2 | 3270.0883 |
| 120 | 42 | M5 | $\varnothing 10$ | 14 | 120 gr. | 270.3 | 3270.1213 |
| 180 | 42 | M5 | $\varnothing 10$ | 14 | 150 gr. | 270.4 | 3270.1803 |
| 235 | 42 | M5 | $\varnothing 10$ | 14 | 190 gr. | 270.5 | 3270.2353 |
| 100 | 42 | M5 | $\varnothing 10$ | 14 | 110 gr. | 270.6 | 3270.1003 |
| 200 | 42 | M5 | $\varnothing 10$ | 14 | 15 gr. | 270.7 | 3270.2003 |
| 30 | 18 | M3 | $\varnothing 6$ | 10 | 15 gr. | 270.8 | |
| 35 | 18 | M3 | $\varnothing 6$ | 10 | 20 gr. | 270.9 | |
| 45 | 29 | M3 | $\varnothing 6$ | 10 | 17,5 gr. | 270.10 | |
| 88 | 42 | M5 | $\varnothing 10$ | 14 | 94 gr. | 3270.1203 | |

Jeder Griff wird mit 2 verchromten Abschlusscheiben und 2 verzinkten Befestigungsschrauben mit Unterlegscheiben geliefert.

Each handle is supplied with two chromium-plated end rings and two galvanized mounting screws with washers.