

1

2

3

4

5

6

7

A

B

C

D

E

F

A

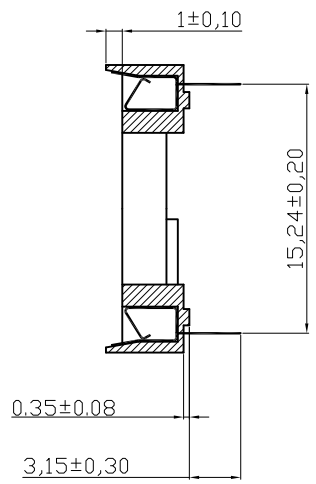
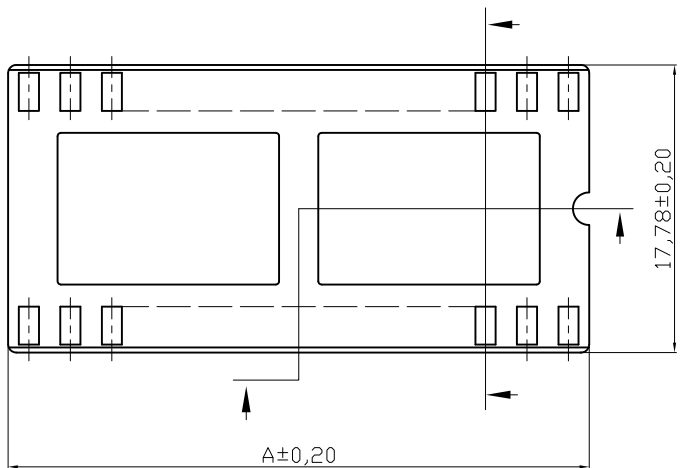
B

C

D

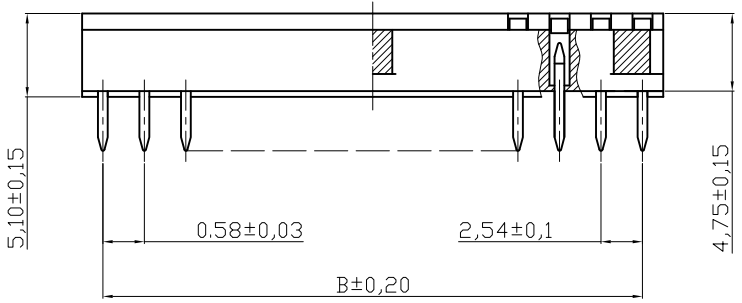
E

F

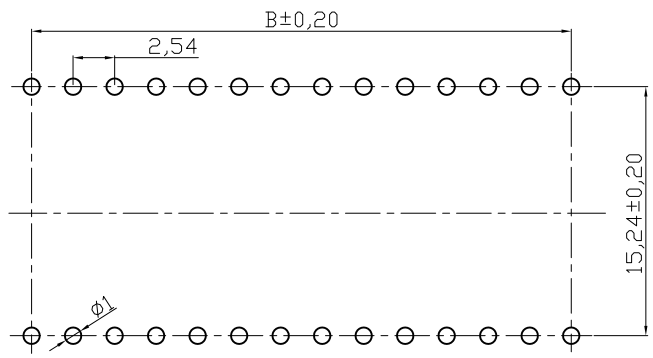


**MATERIAL:**  
 Contact :  
 Phosphor Bronze thickness 0,15mm  
 Plating :  
 Contact Plating, Tin plated 60u"-~80u"  
 (Lead free plating)  
 Insulator : PBT-4830 , UL 94V-0

**SPECIFICATIONS:**  
 Current Rating : 1A  
 Dielectric withstanding Voltage : 1000v RMS/minute  
 Insulator resistance : 5000 Megohms min.  
 Contact resistance : 20 milliohms initial  
 30 milliohms after test.  
 Operating temperatures : -55°c to 85°c  
 Insertion force : 340g(12 oz) max.per contact.  
 Withdrawal force : 80g(2,82 oz) min.per contact



CKT	A±0.20	B±0.20
24	30.48	27.94



PCB LAYOUT

**RoHS compliant**  
 Unit: mm

Scale	Free						Date	Name	Customer-No.	
TOLERANCE						Drawn	20.07.2012	Lucas	<b>CONRAD 183811</b>	
X.	±X					Approved	20.07.2012	Jackey	ASSMANN WSW-No.	
X.X	±X								<b>A 24-LC-TT</b>	
X.XX	±X								Drawing-No.	
DIM	TOL								<b>ASS 4921 CO</b>	rev00
X.°	±X°								Replace	Sheet
X.X°	±X°	©	Drawn	20.07.2012	Lucas					
Angle	TOL	Id.	Modification	Date	Name					

1

2

3

4

5

6

7

H

H