

1 2 3 4 5 6 7

A

A

B

B

C

C

D

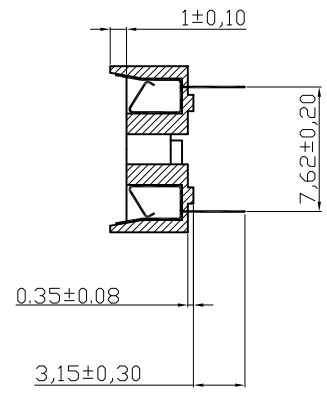
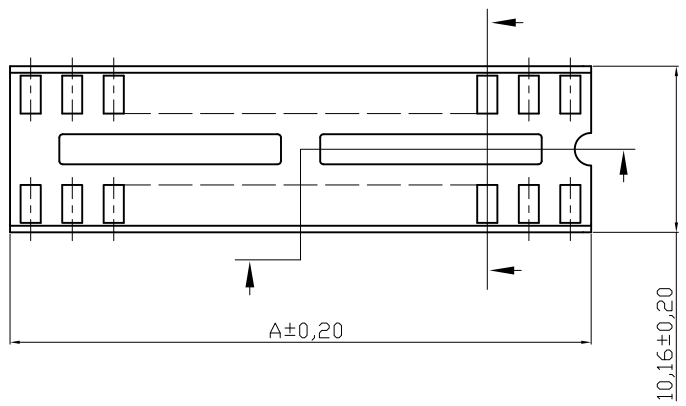
D

E

E

F

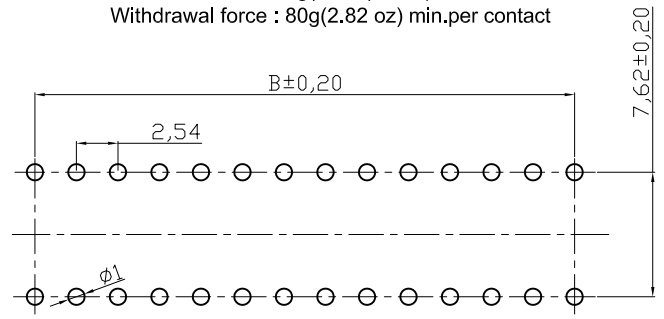
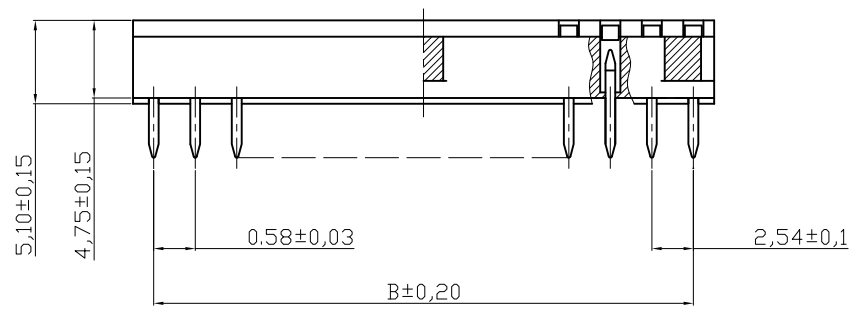
F



**MATERIAL:**  
 Contact : Phosphor Bronze thickness 0.15mm  
 Plating : Contact Plating, Tin plated 60u"-80u" (Lead free plating)  
 Insulator : PBT-4830 , UL 94V-0

**SPECIFICATIONS:**  
 Current Rating : 1A  
 Dielectric withstanding Voltage : 1000v RMS/minute  
 Insulator resistance : 5000 Megohms min.  
 Contact resistance : 20 milliohms initial  
 30 milliohms after test.  
 Operating temperatures : -55°c to 85°c  
 Insertion force : 340g(12 oz) max.per contact.  
 Withdrawal force : 80g(2.82 oz) min.per contact

CKT	A±0.20	B±0.20
28	35.56	33.02



PCB LAYOUT

**RoHS compliant**  
 Unit: mm

Scale	Free				Date	Name	Customer-No.
TOLERANCE					Drawn	20.07.2012	Lucas
X.	±X				Approved	20.07.2012	Jackey
X.X	±X						
X.XX	±X						
DIM	TOL						
X.°	±X°						
X.X°	±X°	©	Drawn	20.07.2012	Lucas		
Angle	TOL	Id.	Modification	Date	Name		



Customer-No. <b>CONRAD 183812</b>	
ASSMANN WSW-No. <b>A 28-LC/7-T</b>	
Drawing-No. <b>ASS 4922 CO</b>	rev00
Replace	Sheet

1 2 3 4 5 6 7

H

H

G

G