

1

2

3

4

5

6

7

A

B

C

D

E

F

A

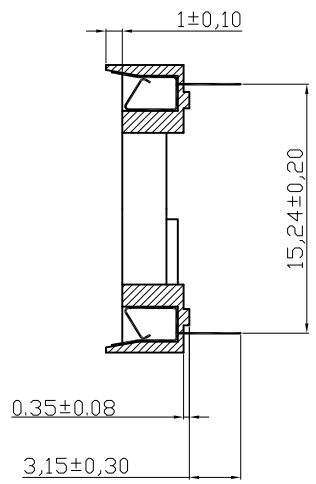
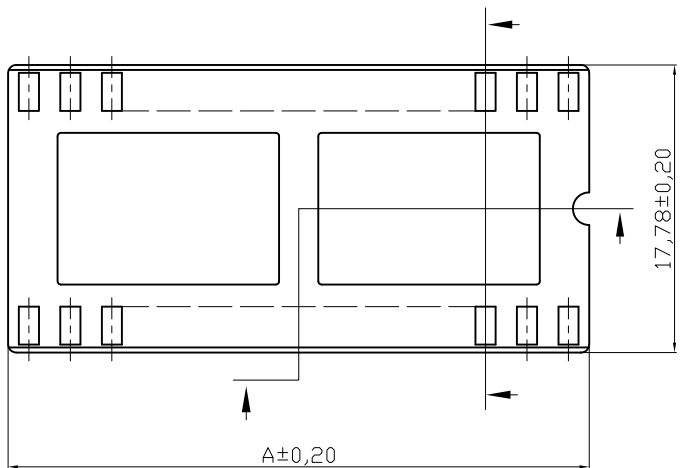
B

C

D

E

F

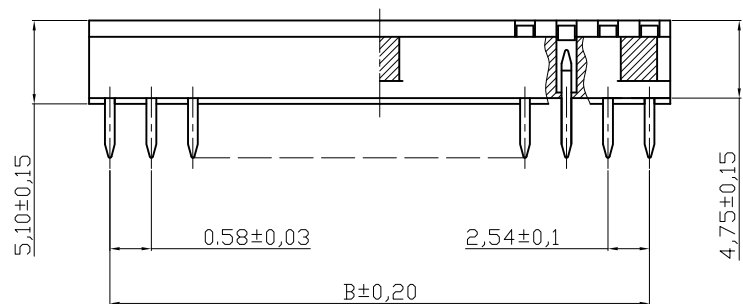


MATERIAL:

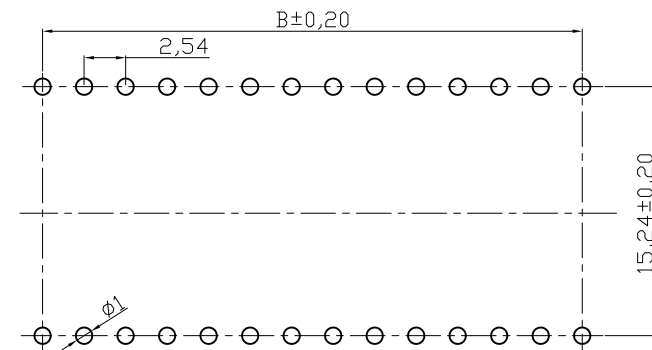
Contact :
 Phosphor Bronze thickness 0,15mm
 Plating :
 Contact Plating, Tin plated 60u"-~80u"
 (Lead free plating)
 Insulator : PBT-4830 , UL 94V-0

SPECIFICATIONS:

Current Rating : 1A
 Dielectric withstanding Voltage : 1000v RMS/minute
 Insulator resistance : 5000 Megohms min.
 Contact resistance : 20 milliohms initial
 30 milliohms after test.
 Operating temperatures : -55°c to 85°c
 Insertion force : 340g(12 oz) max.per contact.
 Withdrawal force : 80g(2,82 oz) min.per contact



CKT	A±0,20	B±0,20
32	40,64	38,10



PCB LAYOUT

RoHS compliant

Unit: mm

Scale	Free				Date	Name	Customer-No.
TOLERANCE					Drawn	20.07.2012	Lucas
X.	±X				Approved	20.07.2012	Jackey
X.X	±X						
X.XX	±X						
DIM	TOL						
X.°	±X°						
X.X°	±X°	©	Drawn	20.07.2012	Lucas		
Angle	TOL	Id.	Modification	Date	Name		



Customer-No. CONRAD 183816	
ASSMANN WSW-No. A 32-LC-TT	
Drawing-No. ASS 4924 CO	rev00
Replace	Sheet

1

2

3

4

5

6

7

H

H