

1

2

3

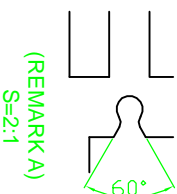
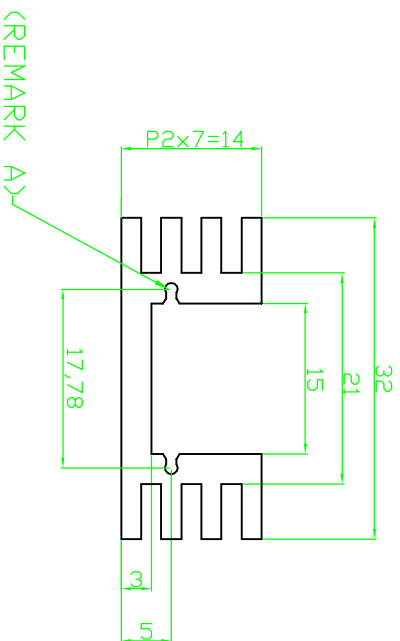
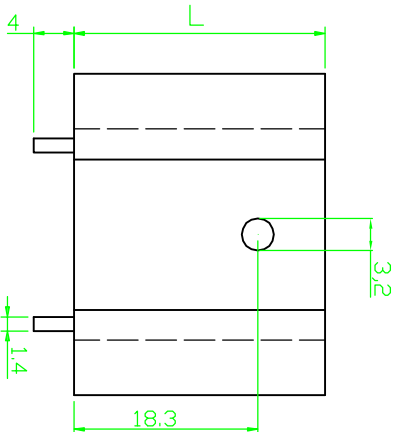
4

5

6

7

RoHS compliant



Notes  
 Material : AL6063-T5  
 Finished : Black Anodized  
 UNSPECIFIED R=0.3MM

Option	L	Thermal resistance(K/W)
V5229W	25	12.5

Customer-No.

Conrad P/N 183880

ASSMANN WSW-No.

V5229W

Drawing-No.

ASS 0871 HS

rev02

Replace

Sheet

Scale 1:1

TOLERANCE

UNIT ±0.2

DIM TOL

X. ° ±X°

X.X° ±X°

Angle

TOL

Id.

Modification

② Modify drawing layout

① Drawn

10.03.2010

11.08.2009

Alex

Dean

Date

Drawn

Approved

Name

Dean

Andy



1

2

3

4

5

6

7

H

G

F

E

D

C

B

A

H

G

F

E

D

C

B

A