

1

2

3

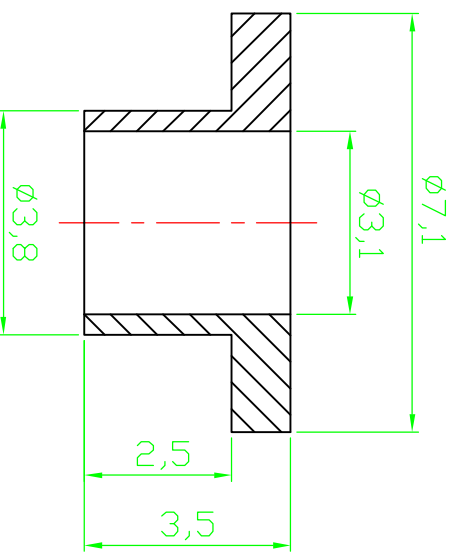
4

5

6

7

RoHS compliant



Notes
 Material:SR25
 Dielectric strength: 380kV/cm
 Heat resistance:215°C
 Tensile strength: 80N/mm

A	1	2	3	4	5	6	7	A
B								B
C								C
D								D
E								E
F								F
G								G
H	1	2	3	4	5	6	7	H
	Scale 1:1	TOLERANCE	TOL	Id.	Date	Name	Customer-No.	
	X.	±X		Drawn	20.08.2009	Dean	Conrad P/N : 183885	
	X.X	±X		Approved	10.03.2010	Andy	ASSMANN WSW-No.	
	X.XX	±X					V5357	
	DIM	TOL		Corrected drawing No.	10.03.2010	Dean	Drawing-No.	
	X. °	±X°	①	Drawn	20.08.2009	Dean	ASS 0489B HS	rev02
	X.X°	±X°		Modification			Replace	Sheet
	Angle	TOL						

