

1

2

3

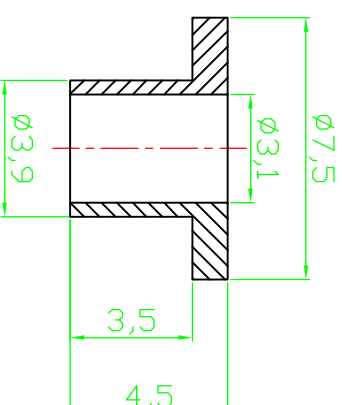
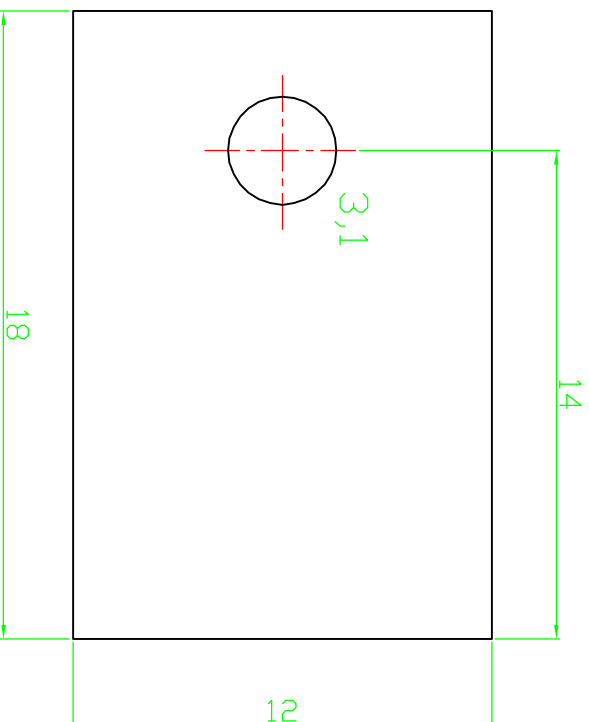
4

5

6

7

RoHS compliant



Notes  
 Material:SR25  
 Dielectric strength: 380kV/cm  
 Heat resistance:215°C  
 Tensile strength: 80N/mm

	1	2	3	4	5	6	7	
A	<p>Customer-No.  <b>Conrad P/N :183886</b></p> <p>ASSMANN WSW-No.  <b>V/5358</b></p> <p>Drawing-No.  <b>ASS 0400 HS</b></p> <p>Replace Sheet</p>							A
B								
C		C						
D		D						
E		E						
F		F						
G		G						
H		H						
	1	2	3	4	5	6	7	
Scale	1:1				Date	Name	<p>Customer-No.  <b>Conrad P/N :183886</b></p> <p>ASSMANN WSW-No.  <b>V/5358</b></p> <p>Drawing-No.  <b>ASS 0400 HS</b></p> <p>Replace Sheet</p>	
TOLERANCE		±X		Drawn	20.08.2009	Dean		
X.X		±X		Approved	10.03.2010	Andy		
X.XX		±X						
DIM		TOL		②	10.03.2010	Dean		
X. °		±X°			20.08.2009	Dean		
X.X°		±X°		①	Drawn	Dean		
Angle		TOL	Id.	Modification				
							<p><b>ASSMANN</b>  <small>WSW/</small> <b>components</b></p>	