

1

2

3

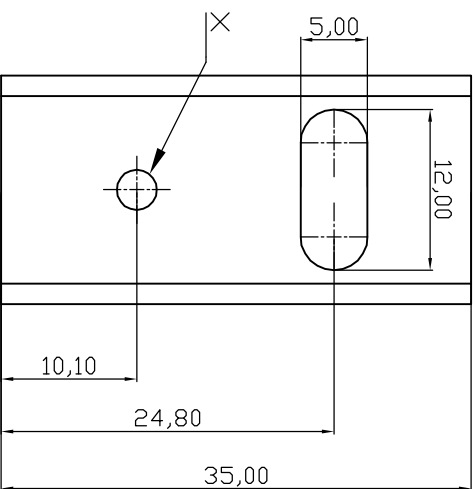
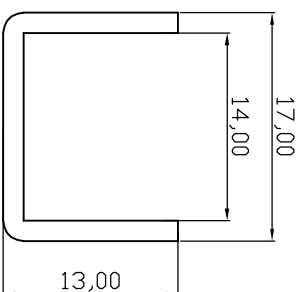
4

5

6

7

RoHS compliant



Option	Dimension x	Version	Thermal resistance
V5616X-T	M 3,0	Black anodized	17

Notes
Material:AL99.5

Scale	1:1			Customer-No.	Conrad P/N : 183896	
TOLERANCE		Drawn	Date	12.10.2009	Name	Schulz
X.	±X	Approved	Date	11.10.2010	Name	Plate
X.X	±X					
X.XX	±X					
DIM	TOL					
X.°	±X°					
X.X°	±X°					
Angle	TOL					

Customer-No.	Conrad P/N : 183896	
ASSMANN WSW-No.	V5616X-T	

Drawing-No.	ASS 0488 HS	rev02
Replace		Sheet



1

2

3

4

5

6

7

--	--	--	--	--	--	--