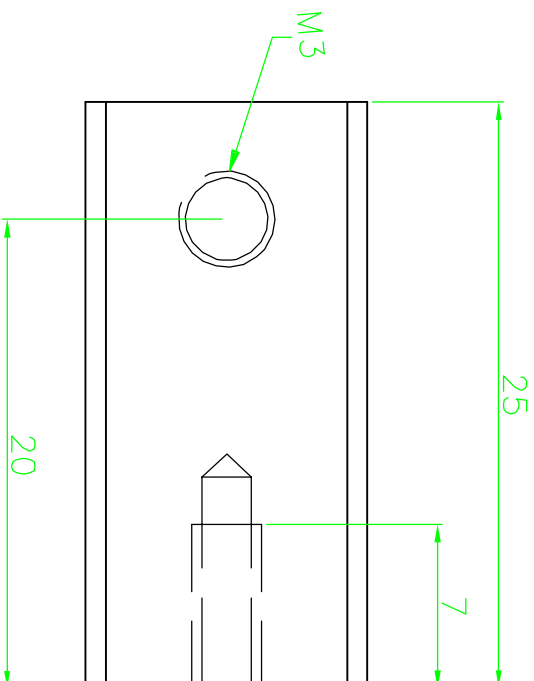
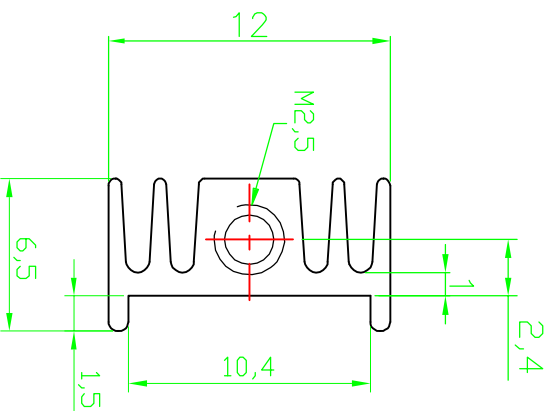


RoHS compliant

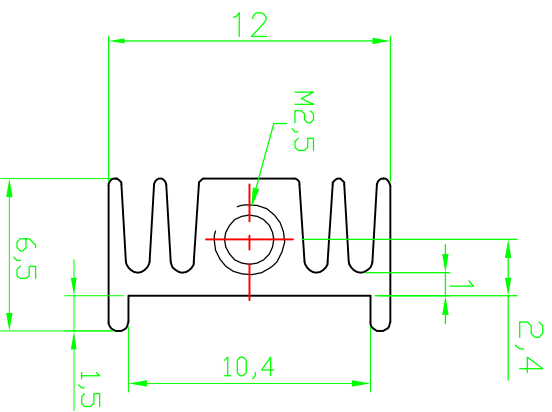
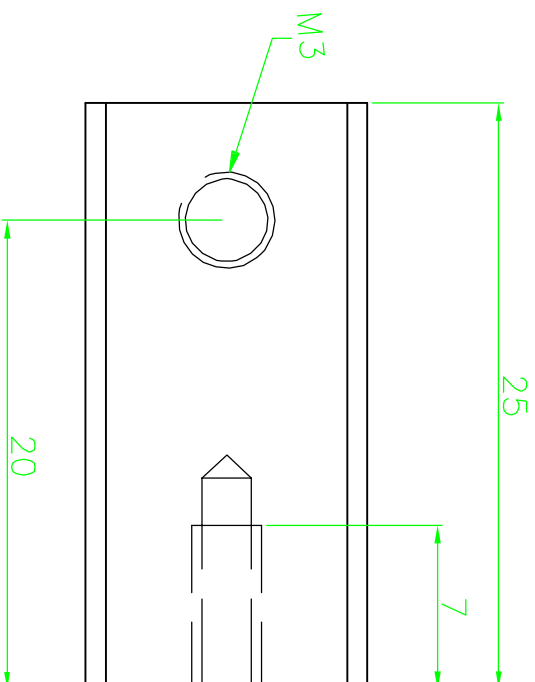


Scale	1:1									
TOLERANCE										
X.										
X.X										
X.XX										
DIM	TOL									
X.°										
Angle										

Id.	Modification	Date	Name				
?	Update	11.08.2009	Dean				
?	Modify drawing layout	10.03.2010	Alex				
	Drawn	07.09.2006	Storb	Drawn	07.09.2006	Storb	
	Drawn	10.03.2010	Andy	Approved	10.03.2010	Andy	



Customer-No.	
Contrad P/N : 183904	
ASSMANN WSW-No.	V5629G
Drawing-No.	ASS 0620 HS
Replace	rev03
Sheet	

	1	2	3	4	5	6	7																																																																																																									
A	RoHS compliant							A																																																																																																								
B	 							B																																																																																																								
C								C																																																																																																								
D								D																																																																																																								
E								E																																																																																																								
F								F																																																																																																								
G	<table border="1"> <tr> <td>Scale</td> <td>1:1</td> <td></td> <td></td> <td></td> <td></td> <td></td> <td></td> </tr> <tr> <td>TOLERANCE</td> <td></td> <td></td> <td></td> <td></td> <td></td> <td></td> <td></td> </tr> <tr> <td>X.</td> <td></td> <td></td> <td></td> <td></td> <td></td> <td></td> <td></td> </tr> <tr> <td>X.X</td> <td></td> <td></td> <td></td> <td></td> <td></td> <td></td> <td></td> </tr> <tr> <td>X.XX</td> <td></td> <td></td> <td></td> <td></td> <td></td> <td></td> <td></td> </tr> <tr> <td>DIM</td> <td>TOL</td> <td></td> <td></td> <td></td> <td></td> <td></td> <td></td> </tr> <tr> <td>X.°</td> <td></td> <td></td> <td></td> <td></td> <td></td> <td></td> <td></td> </tr> <tr> <td>Angle</td> <td></td> <td></td> <td></td> <td></td> <td></td> <td></td> <td></td> </tr> </table> <table border="1"> <tr> <td>Id.</td> <td>Modification</td> <td>Date</td> <td>Name</td> <td></td> <td></td> <td></td> <td></td> </tr> <tr> <td>?</td> <td>Update</td> <td>11.08.2009</td> <td>Dean</td> <td></td> <td></td> <td></td> <td></td> </tr> <tr> <td>?</td> <td>Modify drawing layout</td> <td>10.03.2010</td> <td>Alex</td> <td></td> <td></td> <td></td> <td></td> </tr> <tr> <td></td> <td>Drawn</td> <td>07.09.2006</td> <td>Storb</td> <td>Drawn</td> <td>07.09.2006</td> <td>Storb</td> <td></td> </tr> <tr> <td></td> <td>Drawn</td> <td>10.03.2010</td> <td>Andy</td> <td>Approved</td> <td>10.03.2010</td> <td>Andy</td> <td></td> </tr> </table>							Scale	1:1							TOLERANCE								X.								X.X								X.XX								DIM	TOL							X.°								Angle								Id.	Modification	Date	Name					?	Update	11.08.2009	Dean					?	Modify drawing layout	10.03.2010	Alex						Drawn	07.09.2006	Storb	Drawn	07.09.2006	Storb			Drawn	10.03.2010	Andy	Approved	10.03.2010	Andy		G
Scale	1:1																																																																																																															
TOLERANCE																																																																																																																
X.																																																																																																																
X.X																																																																																																																
X.XX																																																																																																																
DIM	TOL																																																																																																															
X.°																																																																																																																
Angle																																																																																																																
Id.	Modification	Date	Name																																																																																																													
?	Update	11.08.2009	Dean																																																																																																													
?	Modify drawing layout	10.03.2010	Alex																																																																																																													
	Drawn	07.09.2006	Storb	Drawn	07.09.2006	Storb																																																																																																										
	Drawn	10.03.2010	Andy	Approved	10.03.2010	Andy																																																																																																										
H	<table border="1"> <tr> <td>Customer-No.</td> <td></td> </tr> <tr> <td>Contrad P/N : 183904</td> <td></td> </tr> <tr> <td>ASSMANN WSW-No.</td> <td>V5629G</td> </tr> <tr> <td>Drawing-No.</td> <td>ASS 0620 HS</td> </tr> <tr> <td>Replace</td> <td>rev03</td> </tr> <tr> <td>Sheet</td> <td></td> </tr> </table>							Customer-No.		Contrad P/N : 183904		ASSMANN WSW-No.	V5629G	Drawing-No.	ASS 0620 HS	Replace	rev03	Sheet		H																																																																																												
Customer-No.																																																																																																																
Contrad P/N : 183904																																																																																																																
ASSMANN WSW-No.	V5629G																																																																																																															
Drawing-No.	ASS 0620 HS																																																																																																															
Replace	rev03																																																																																																															
Sheet																																																																																																																