

1

2

3

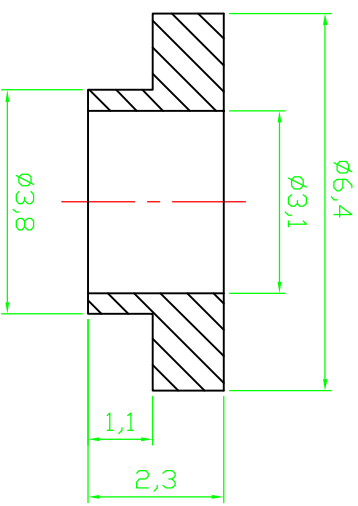
4

5

6

7

RoHS compliant



Notes
 Material:SR25
 Dielectric strength : 380kV/cm
 Heat resistance:215°C
 Tensile strength: 80N/mm

A	1	2	3	4	5	6	7	A
B								B
C								C
D								D
E								E
F								F
G								G
H								H

Scale	1:1							Customer-No.	
TOLERANCE								Conrad P/N : 183907	
X.	±X				Drawn	20.08.2009	Dean	ASSMANN WSW-No.	V5731
X.X	±X				Approved	10.03.2010	Andy	Drawing-No.	ASS 0515 HS
X.XX	±X							Replace	rev02
DIM	TOL							Sheet	
X.°	±X°	②	Modify drawing layout	10.03.2010	Dean				
X.X°	±X°	①	Drawn	20.08.2009	Dean				
Angle	TOL	Id.	Modification	Date	Name				

1	2	3	4	5	6	7
---	---	---	---	---	---	---