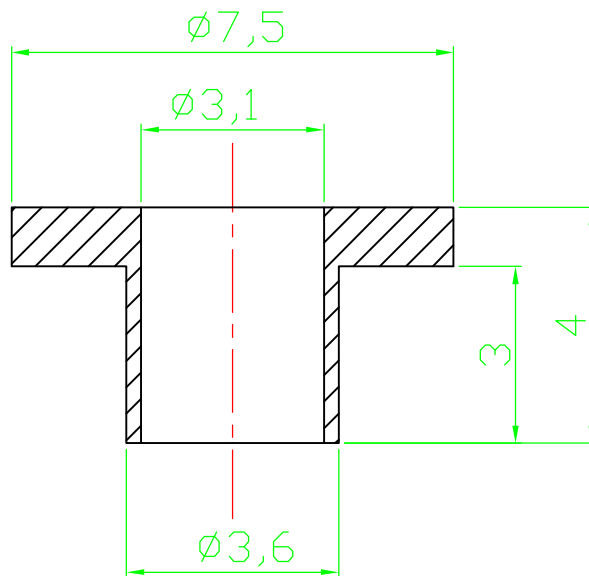


RoHS compliant



Notes  
 Material:SR25  
 Dielectric strength: 380kV/cm  
 Heat resistance:215°C  
 Tensile strength: 80N/mm

G	Scale	1:1					Date	Name	Customer-No.
	TOLERANCE					Drawn	20.08.2009	Dean	Conrad P/N : 183909
	X.	$\pm X$				Approved	10.03.2010	Andy	ASSMANN WSW-No.
	X.X	$\pm X$							V5816
H	X.XX	$\pm X$							Drawing-No.
	DIM	TOL	②	Modify drawing layout	10.03.2010	Dean		ASS 0489 HS	rev02
	X.°	$\pm X^\circ$	①	Drawn	20.08.2009	Dean		Replace	Sheet
	X.X°	$\pm X^\circ$							
Angle	TOL	Id.	Modification	Date	Name				