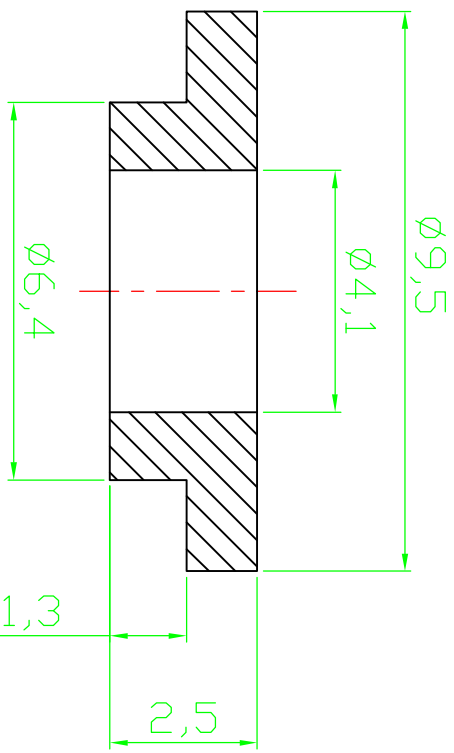


ROHS compliant



Notes  
 Material:SR25  
 Dielectric strength: 380KV/cm  
 Heat resistance:215°C  
 Tensile strength: 80N/mm

Scale	1:1								
TOLERANCE									
X.	±X								
X.X	±X								
X.XX	±X								
DIM	TOL								
X.°	±X°	①	Drawn	20.08.2009	Dean				
X.X°	±X°	②	Modify drawing layout	10.03.2010	Dean				
Angle	TOL	Id.	Modification	Date	Name				

Customer-No.	Conrad P/N :183912		
ASSMANN WSW-No.	V/5818		
Drawing-No.	ASS 0509 HS	rev02	
Replace		Sheet	

	1	2	3	4	5	6	7	
A	ROHS compliant							A
B								B
C								C
D								D
E								E
F								F
G								G
H								H