

1

2

3

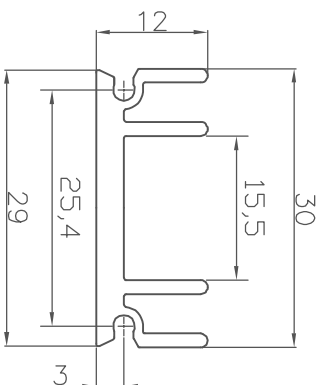
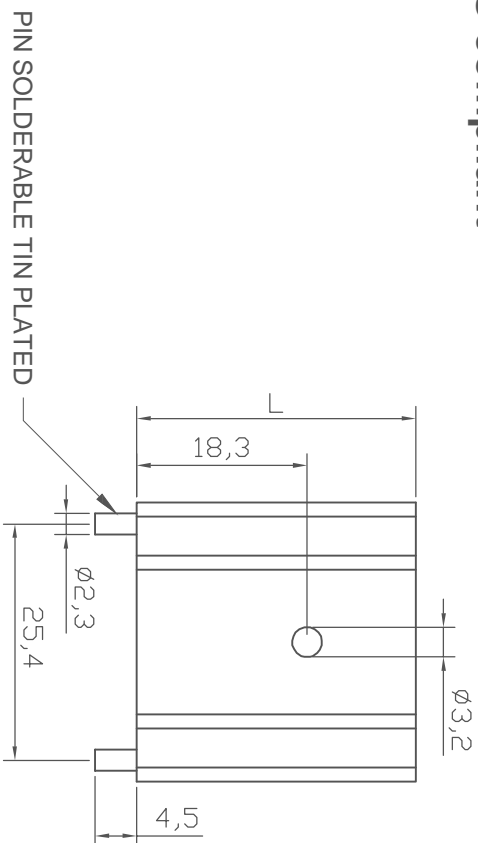
4

5

6

7

RoHS compliant



Material:ALUMINIUM 6063 T5
Finisher: Black anodize

P/N	L	Thermal resistance(K/W)
V6560W	25MM	10

Customer-No.	Conrad P/N : 183924
ASSMANN WSW-No.	V6560W

Scale	1:1
TOLERANCE	
X.	
X.X	
X.XX	
DIM	TOL
X.°	
Angle	TOL

Id.	Modification	Date	Name
?	Modify drawing layout	10.03.2010	Alex
?	Update	11.08.2009	Dean
?	Drawn	17.11.2005	Storb

Drawn	Date	17.11.2005
Approved	Date	10.03.2010
Andy	Name	



Customer-No.	Conrad P/N : 183924
ASSMANN WSW-No.	V6560W
Drawing-No.	ASS 0595 HS
Replace	rev03
	Sheet

1

2

3

4

5

6

7

A	RoHS compliant							A																		
B	PIN SOLDERABLE TIN PLATED							B																		
C								C																		
D								D																		
E	<table border="1"> <thead> <tr> <th>P/N</th> <th>L</th> <th>Thermal resistance(K/W)</th> </tr> </thead> <tbody> <tr> <td>V6560W</td> <td>25MM</td> <td>10</td> </tr> <tr> <td> </td> <td> </td> <td> </td> </tr> <tr> <td> </td> <td> </td> <td> </td> </tr> <tr> <td> </td> <td> </td> <td> </td> </tr> <tr> <td> </td> <td> </td> <td> </td> </tr> </tbody> </table>							P/N	L	Thermal resistance(K/W)	V6560W	25MM	10													E
P/N	L	Thermal resistance(K/W)																								
V6560W	25MM	10																								
F	<table border="1"> <thead> <tr> <th>Customer-No.</th> <th>Conrad P/N : 183924</th> </tr> </thead> <tbody> <tr> <td>ASSMANN WSW-No.</td> <td>V6560W</td> </tr> <tr> <td> </td> <td> </td> </tr> <tr> <td> </td> <td> </td> </tr> <tr> <td> </td> <td> </td> </tr> <tr> <td> </td> <td> </td> </tr> </tbody> </table>							Customer-No.	Conrad P/N : 183924	ASSMANN WSW-No.	V6560W									F						
Customer-No.	Conrad P/N : 183924																									
ASSMANN WSW-No.	V6560W																									
G	<table border="1"> <tr> <td>Scale</td> <td>1:1</td> </tr> <tr> <td>TOLERANCE</td> <td></td> </tr> <tr> <td>X.</td> <td></td> </tr> <tr> <td>X.X</td> <td></td> </tr> <tr> <td>X.XX</td> <td></td> </tr> <tr> <td>DIM</td> <td>TOL</td> </tr> <tr> <td>X.°</td> <td></td> </tr> <tr> <td>Angle</td> <td>TOL</td> </tr> </table>							Scale	1:1	TOLERANCE		X.		X.X		X.XX		DIM	TOL	X.°		Angle	TOL	G		
Scale	1:1																									
TOLERANCE																										
X.																										
X.X																										
X.XX																										
DIM	TOL																									
X.°																										
Angle	TOL																									
H	<table border="1"> <thead> <tr> <th>Id.</th> <th>Modification</th> <th>Date</th> <th>Name</th> </tr> </thead> <tbody> <tr> <td>?</td> <td>Modify drawing layout</td> <td>10.03.2010</td> <td>Alex</td> </tr> <tr> <td>?</td> <td>Update</td> <td>11.08.2009</td> <td>Dean</td> </tr> <tr> <td>?</td> <td>Drawn</td> <td>17.11.2005</td> <td>Storb</td> </tr> </tbody> </table>							Id.	Modification	Date	Name	?	Modify drawing layout	10.03.2010	Alex	?	Update	11.08.2009	Dean	?	Drawn	17.11.2005	Storb	H		
Id.	Modification	Date	Name																							
?	Modify drawing layout	10.03.2010	Alex																							
?	Update	11.08.2009	Dean																							
?	Drawn	17.11.2005	Storb																							