

1

2

3

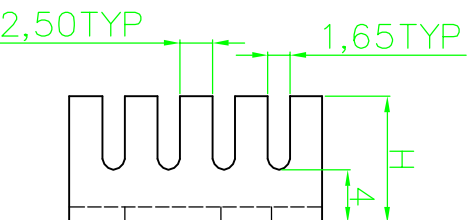
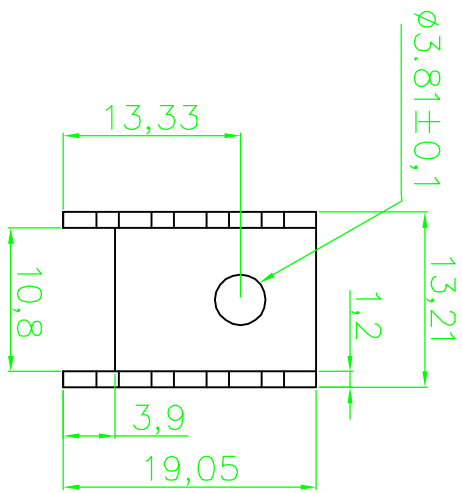
4

5

6

7

RoHS compliant



Notes

Material : AL 1100 T=1.2

Option	H	Finished
V7236B1	9.53	Black anodized

Customer-No.

Conrad P/N : 183930

ASSMANN WSW-No. V7236B1

Drawing-No. ASS 0512 HS

rev03

Replace Sheet

Scale	FREE					
TOLERANCE	UNIT	±0,2				
DIM	TOL		③	Modify drawing layout	10.03.2010	Alex
X. °	±X°		②	Update	11.08.2009	Dean
X.X°	±X°		①	Drawn	04.03.2002	Helwig
Angle	TOL		Id.	Modification		

Date

Drawn 04.03.2002 Helwig

Approved 10.03.2010 Andy

ASSMANN WSW-No. V7236B1

ASSMANN components

Replace Sheet

1

2

3

4

5

6

7

H

G

F

E

D

C

B

A