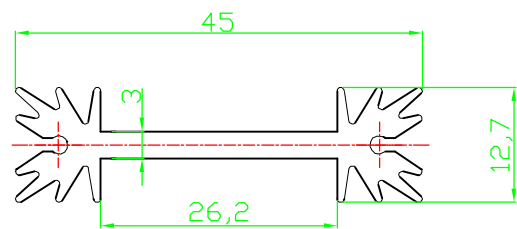
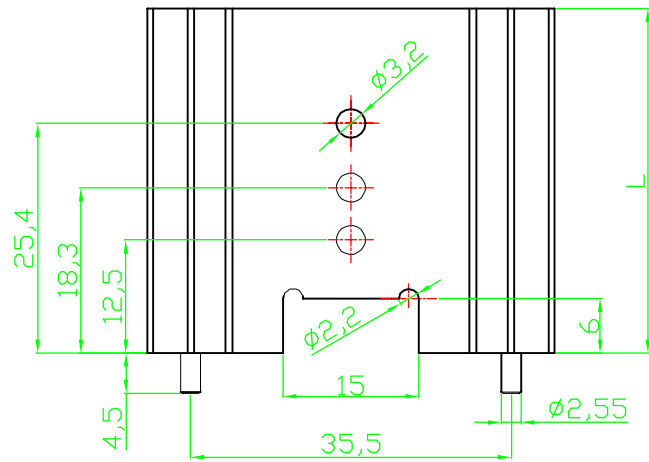



RoHS compliant



Material : AL 6063-T5 PIN:
Finished: Black Anozize

Option	L	Thermal resistance(K/W)
V7466W	25.4	8.2
V7466X	38.1	7
V7466Y	50.8	6.2
V7466Z	63.5	5.6

G	Scale	FREE				Date	Name	Customer-No. Conrad P/N : 183943
	TOLERANCE					Drawn	31.10.2008	
H	X.	±X				Approved	08.03.2010	Andy
	X.X	±X						
H	UNIT	±0.2	③	Modify drawing layout	08.03.2010	Dean		
	DIM	TOL	②	Update	11.08.2009	Dean		
H	X.°	±X°						
	X.X°	±X°	①	Drawn	11.08.2009	Storb		
	Angle	TOL	Id.	Modification	Date	Name	 ASS 0527 HS rev03 Replace Sheet	