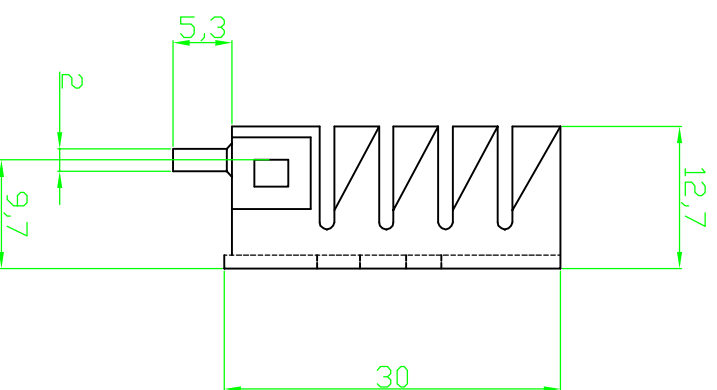
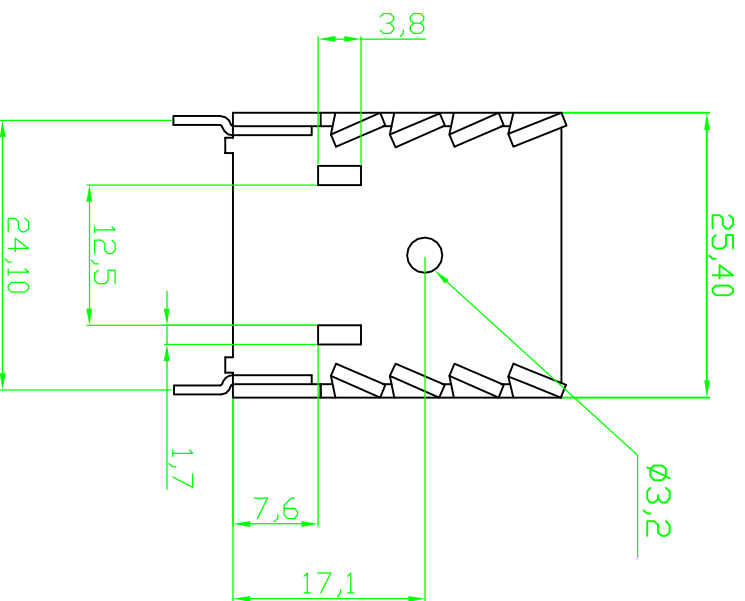


RoHS compliant



Notes
 Material : AL 1050 T=1.2MM
 Finished : Black Anodize

Scale	FREE	Customer-No.	
TOLERANCE		Conrad P/N : 183952	
.X	±X	ASSMANN WSW-No.	V8502A
.XX	±X	Drawing-No.	ASS 0537 HS
DIM	TOL	Drawn	rev03
X.°	±X°	Approved	Sheet
X.X°	±X°	Date	
Angle	TOL	Name	
		Dean	
		Mank	
		Alex	
		Andy	
		Andy	



	1	2	3	4	5	6	7																																																					
A	RoHS compliant							A																																																				
B								B																																																				
C								C																																																				
D								D																																																				
E								E																																																				
F	Notes Material : AL 1050 T=1.2MM Finished : Black Anodize							F																																																				
G	<table border="1"> <thead> <tr> <th>Scale</th> <th>FREE</th> <th colspan="2">Customer-No.</th> </tr> <tr> <th>TOLERANCE</th> <th></th> <th colspan="2">Conrad P/N : 183952</th> </tr> </thead> <tbody> <tr> <td>.X</td> <td>±X</td> <td>ASSMANN WSW-No.</td> <td>V8502A</td> </tr> <tr> <td>.XX</td> <td>±X</td> <td>Drawing-No.</td> <td>ASS 0537 HS</td> </tr> <tr> <td>DIM</td> <td>TOL</td> <td>Drawn</td> <td>rev03</td> </tr> <tr> <td>X.°</td> <td>±X°</td> <td>Approved</td> <td>Sheet</td> </tr> <tr> <td>X.X°</td> <td>±X°</td> <td>Date</td> <td></td> </tr> <tr> <td>Angle</td> <td>TOL</td> <td>Name</td> <td></td> </tr> <tr> <td></td> <td></td> <td>Dean</td> <td></td> </tr> <tr> <td></td> <td></td> <td>Mank</td> <td></td> </tr> <tr> <td></td> <td></td> <td>Alex</td> <td></td> </tr> <tr> <td></td> <td></td> <td>Andy</td> <td></td> </tr> <tr> <td></td> <td></td> <td>Andy</td> <td></td> </tr> </tbody> </table>							Scale	FREE	Customer-No.		TOLERANCE		Conrad P/N : 183952		.X	±X	ASSMANN WSW-No.	V8502A	.XX	±X	Drawing-No.	ASS 0537 HS	DIM	TOL	Drawn	rev03	X.°	±X°	Approved	Sheet	X.X°	±X°	Date		Angle	TOL	Name				Dean				Mank				Alex				Andy				Andy		G
Scale	FREE	Customer-No.																																																										
TOLERANCE		Conrad P/N : 183952																																																										
.X	±X	ASSMANN WSW-No.	V8502A																																																									
.XX	±X	Drawing-No.	ASS 0537 HS																																																									
DIM	TOL	Drawn	rev03																																																									
X.°	±X°	Approved	Sheet																																																									
X.X°	±X°	Date																																																										
Angle	TOL	Name																																																										
		Dean																																																										
		Mank																																																										
		Alex																																																										
		Andy																																																										
		Andy																																																										
H	<table border="1"> <thead> <tr> <th>Scale</th> <th>FREE</th> <th colspan="2">Customer-No.</th> </tr> <tr> <th>TOLERANCE</th> <th></th> <th colspan="2">Conrad P/N : 183952</th> </tr> </thead> <tbody> <tr> <td>.X</td> <td>±X</td> <td>ASSMANN WSW-No.</td> <td>V8502A</td> </tr> <tr> <td>.XX</td> <td>±X</td> <td>Drawing-No.</td> <td>ASS 0537 HS</td> </tr> <tr> <td>DIM</td> <td>TOL</td> <td>Drawn</td> <td>rev03</td> </tr> <tr> <td>X.°</td> <td>±X°</td> <td>Approved</td> <td>Sheet</td> </tr> <tr> <td>X.X°</td> <td>±X°</td> <td>Date</td> <td></td> </tr> <tr> <td>Angle</td> <td>TOL</td> <td>Name</td> <td></td> </tr> <tr> <td></td> <td></td> <td>Dean</td> <td></td> </tr> <tr> <td></td> <td></td> <td>Mank</td> <td></td> </tr> <tr> <td></td> <td></td> <td>Alex</td> <td></td> </tr> <tr> <td></td> <td></td> <td>Andy</td> <td></td> </tr> <tr> <td></td> <td></td> <td>Andy</td> <td></td> </tr> </tbody> </table>							Scale	FREE	Customer-No.		TOLERANCE		Conrad P/N : 183952		.X	±X	ASSMANN WSW-No.	V8502A	.XX	±X	Drawing-No.	ASS 0537 HS	DIM	TOL	Drawn	rev03	X.°	±X°	Approved	Sheet	X.X°	±X°	Date		Angle	TOL	Name				Dean				Mank				Alex				Andy				Andy		H
Scale	FREE	Customer-No.																																																										
TOLERANCE		Conrad P/N : 183952																																																										
.X	±X	ASSMANN WSW-No.	V8502A																																																									
.XX	±X	Drawing-No.	ASS 0537 HS																																																									
DIM	TOL	Drawn	rev03																																																									
X.°	±X°	Approved	Sheet																																																									
X.X°	±X°	Date																																																										
Angle	TOL	Name																																																										
		Dean																																																										
		Mank																																																										
		Alex																																																										
		Andy																																																										
		Andy																																																										