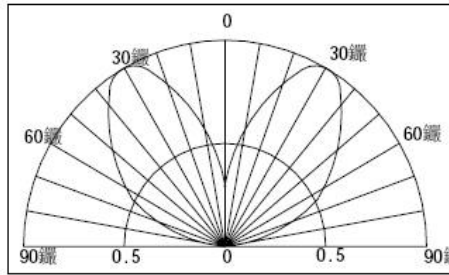


Rocket Type LED

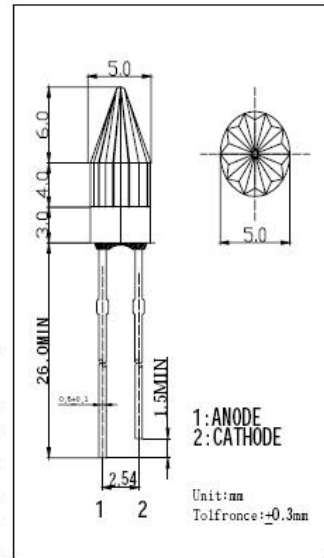
View



Directive Characteristics (Ta=25°C)



Package Outline (unit:mm)



Absolute Maximum Rating (Ta=25°C)

Item	Symbol	Value		Unit
		PG/UB/PW	ER/EO/EY	
DC Forward Current	IF	30	50	mA
Pulse Forward Current*	IFP	100*1	150*1	mA
Power Dissipation	PD	240	240	mW
Operating Temperature	Topr	-30~+80	-30~+80	°C
Storage Temperature	Tstg	-30~+100	-30~+100	°C

*1 Pulse width Max.10ms Duty ratio max 1/10

Electrical And Optical Characteristics (Ta=25°C)

Emitting Color	Lens Type	Forward Voltage		Chromaticity Coordinates ^{*4}				Luminous Intensity IV(mcd) ^{*3}			
		VF (V)		X		Y					
		Operating Current:IF=20mA									
		Typ.	Max.	Min.	Max.	Min.	Max.	Typ.	Max.		
White	Water Clear	3.4	4.0	0.26	0.29	0.25	0.28	2180	3000		
Pink	Water Clear	3.4	4.0	0.34	0.44	0.15	0.25	1120	1560		

Electrical And Optical Characteristics (Ta=25°C)

Emitting Color	Lens Type	Forward Voltage VF (V)		Dominant Wavelength WD(nm) ^{*5}		Luminous Intensity IV(mcd) ^{*3}			
		Operating Current:IF=20mA							
		Typ.	Max.	Typ.	Max.	Typ.	Max.		
Blue	Water Clear	3.4	4.0	470	475	1560	2180		
Pure Green	Water Clear	3.4	4.0	525	530	2180	3000		
Yellow	Water Clear	2.0	2.4	590	595	1560	2180		
Orange	Water Clear	2.0	2.4	605	610	1560	2180		
Red	Water Clear	2.0	2.4	625	630	1560	2180		

*2 See table for Luminous Intensity Ranks

*3 Axial Direction (Luminous Intensity)

*4 Please refer to CIE 1931 chromaticity diagram.

*5 Devices are sorted by 5nm wavelength ranges