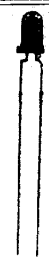

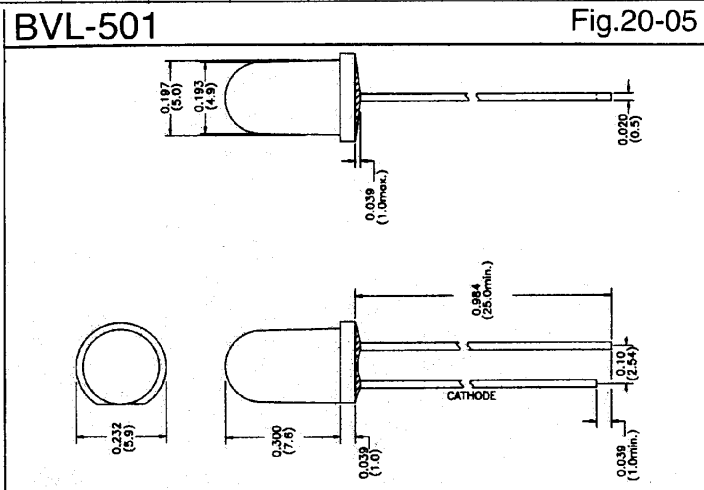
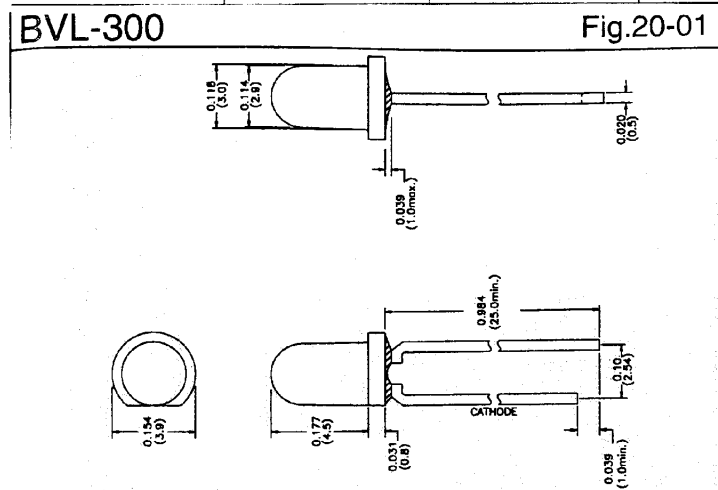


Device Outline	Device Part Number	Dice Material	Lens type	Wavelength		Viewing Angle 2 $\theta$ 1/2	Luminous Intensity Iv(mcd) @ If=20mA		Forward Voltage Vf(V)	Package Dimensions
				$\lambda$ P	$\lambda$ d		MIN.	TYP.		
184560 $\phi$ 3.0 	BVL-300H1G	GaP/GaP	Red Diffused	695nm	640nm	45°	2	3.0	2.2	see page 20-01
	BVL-300E5G	GaAsP/GaP	Red Diffused	632nm	622nm	45°	12	18	2.0	
	BVL-300A1G	GaAsP/GaP	Amber Diffused	610nm	-	45°	-	20	2.0	
	BVL-300Y1G	GaAsP/GaP	Yellow Diffused	589nm	590nm	45°	10	15	2.1	
	BVL-300G1G	GaP/GaP	Green Diffused	568nm	573nm	45°	12	18	2.2	
184318 184713 184543 $\phi$ 5.0 	BVL-501H1D	GaP/GaP	Red Diffused	700nm	-	25°	7	9	2.25	see page 20-05
	BVL-501E5D	GaAsP/GaP	Red Diffused	632nm	622nm	25°	30	45	2.0	
	BVL-501A1D	GaAsP/GaP	Amber Diffused	610nm	-	25°	-	25	2.0	
	BVL-501Y1D	GaAsP/GaP	Yellow Diffused	589nm	590nm	25°	20	30	2.1	
	BVL-501G1D	GaP/GaP	Green Diffused	568nm	573nm	25°	30	45	2.2	



Note: 2  $\theta$  1/2 is the off-axis angle at which the luminous intensity is half the axial luminous intensity.