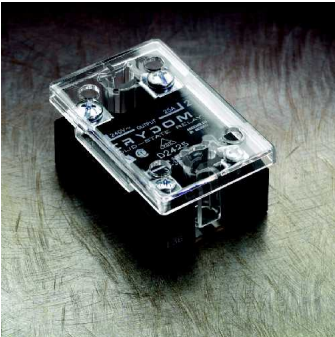


## Protective Covers



Protective covers designed for use with Crydom single-phase (Series 1 housing) and three-phase solid-state relays

### KS100

#### PRODUCTION DESCRIPTION

The KS100 and KS300 are protective covers made of clear polycarbonate material, which are designed to fit over standard CRYDOM SSRs.

They provide added protection from electric shock when installing or checking equipment.

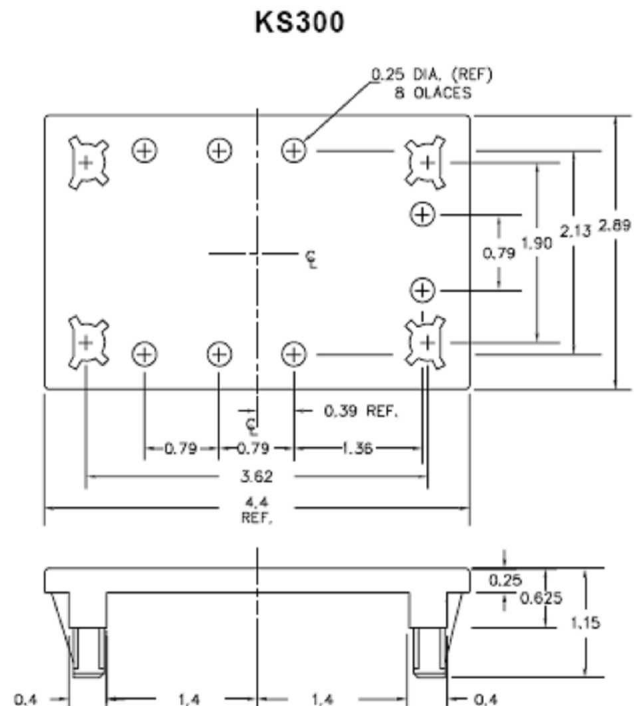
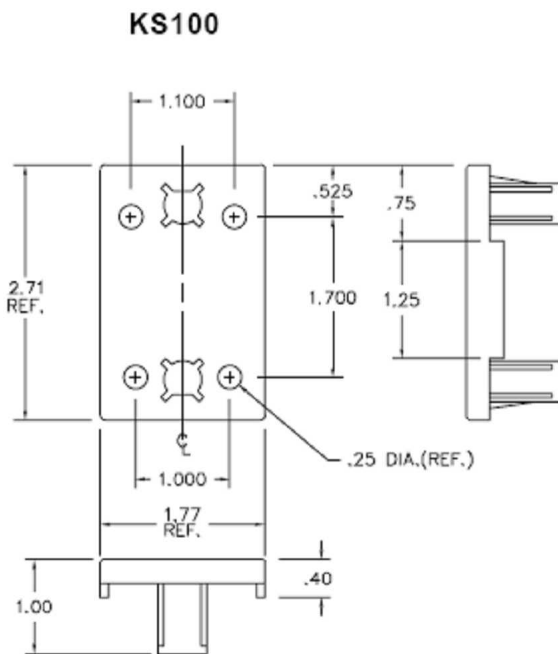
#### USE GUIDE

Care should be taken to fit the KS100 or KS300 as per instructions to ensure maximum protection

#### DESIGN ADVANTAGE

The CRYDOM KS100 and KS300 protective covers have been designed specially for Crydom Solid State Relays, and have been made simple to install. The polycarbonate material used is UL94V-0 approved.

### MECHANICAL OUTLINE



### MECHANICAL SPECIFICATIONS

For Contact information visit our web site.

**ANNEX - ENVIROMENTAL INFORMATION**

The environmental information disclosed in this annex including the EIP Pollution logo are in compliance with People's Republic of China Electronic Industry Standard SJ/T11364 – 2006, Marking for Control of Pollution Caused by Electronic Information Products.

Part Name	Toxic or hazardous Substance and Elements					
	Lead (Pb)	Mercury (Hg)	Cadmium (Cd)	Hexavalent Chromium (Cr (VI))	Polybrominated biphenyls (PBB)	Polybrominated diphenyl ethers (PBDE)
Semiconductor die	X	O	O	O	O	O
Solder	X	O	O	O	O	O

此附件所标示的包括电子信息产品污染图标的环保信息符合中华人民共和国电子行业标准 **SJ/T11364 - 2006**, 电子信息产品污染控制标识要求



部件名称	有毒有害物质或元素					
	铅 (Pb)	汞 (Hg)	镉 (Cd)	六价铬 (Cr (VI))	多溴联苯 (PBB)	多溴二苯醚 (PBDE)
半导体芯片	X	O	O	O	O	O
焊接点	X	O	O	O	O	O