

DATA SHEET

Mounting kit for rain alarm unit REGME-WAHA



Description



Mounting

Please follow the rules for prevention of accidents for your own safety. Arrange the tools and make yourself familiar with each step of the complete mounting procedure at the beginning itself!

Preparation: Loosen the cover screws of rain alarm unit, pull out the plug connector of sensor cable and first keep the cover aside. With this measures, damages to sensor connection line are avoided. Fit the cable gland on the housing. Configure the jumper connections and adjust position of potentiometers as per instructions manual.

Product characteristics

- Mounting set for B+B Rain alarm unit
- Universal design for wall and pillar mounting
- Simple time saving mounting
- Reliable operation, stable construction
- Corrosion proof Aluminium
- Scope of supply inclusive of all mounting items

The Mounting-set is meant for fitment of B+B rain alarm unit in outdoor applications. The robust, stable mounting bracket of corrosion proof aluminium is suitable for both wall as well as pillar mounting. All mounting holes are pre-punched to facilitate simple assembly. The required accessories including screws, dowels and pillar clamps are covered in the scope of supply. The angular adjustment guarantees reliable detection and short drying time. All fixing screws are on the outer side, hence the tightness is ensured. The cable gland can be either at the lower front position or downwards.

Montage location

For reliable operation, the correct location of mounting is important. The rain deposit must be accessible from all directions in the selected location. For example, if there is an overhead tree, the dripping water may disturb the functioning. When mounting over the roof edge, if necessary, lightning protection measures must be considered. Aggressive air ingredients, for example, from exhaust air, gas fumes, smoke or ammonia (e.g. in stables or purification plants) can damage the sensor surface. In dust-laden atmosphere, the mounting location should be selected in such a way that it is easily accessible for periodic cleaning.

For pillar mounting

First fit the rain alarm unit on the relevant arm of mounting bracket with four sheet metal screws. Then the unit is to be fitted on the pillar with two pipe clamps. Use the enclosed screws, support washers and toothed washers for secured mounting.

For wall mounting

First tighten the mounting bracket on the wall. As long as the rain alarm unit is not mounted, there is an access to the wall mounting screws through the punched cut outs provided for tool access. Mark the required position for mounting holes, pre-drill if necessary, and insert the enclosed dowels in the holes. Then, tighten the mounting bracket on the wall with two wood screws. The adjustment of position can be done by two long holes. Then tighten the rain alarm unit on the second arm of mounting bracket with four sheet metal screws.

DATA SHEET



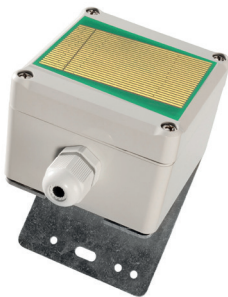
Mounting kit for rain alarm unit REGME-WAHA

Putting into operation

Carefully complete the electrical connection and tighten the cable gland. Check before closing and take care, that the sealing gasket of the sensor surface is complete and in the correct position. Then, close the housing. After switching on the power supply and electrical safety checks, the perfect functioning of sensor should be tested by touching the sensor surface with a wet cloth.

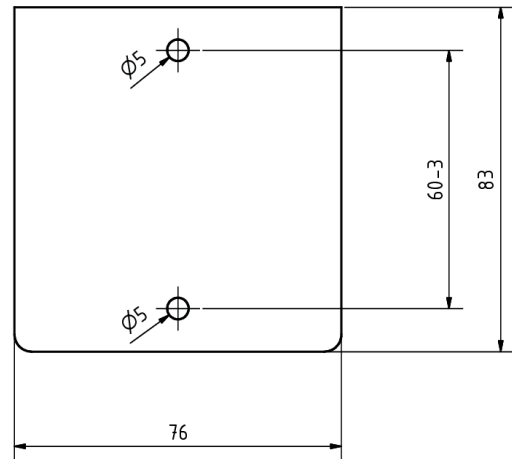
Scope of supply

Punched mounting bracket, 4 self tapping convex head screw DIN 7981, 2 pillar clamps 1/2", 4 toothed washer M4, 4 hexagonal head screws M4x10 DIN 933, 2 round head screws 4 x 10, 2 dowels 6 mm and mounting instructions. The included pipe clamps are suitable for a pillar diameter of 1/2 inch. For other pipe diameters, use commercial grade mounting aids!

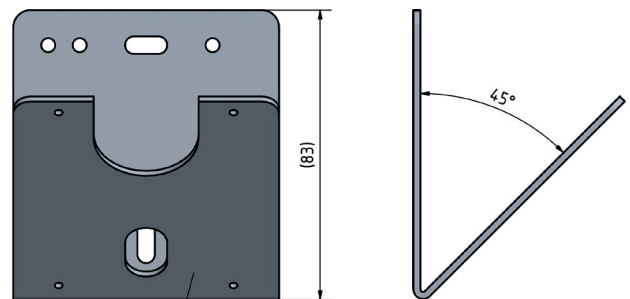


Rain alarm unit with mounting kit

Drilling template



Dimension drawing



Mounting site rain alarm unit

