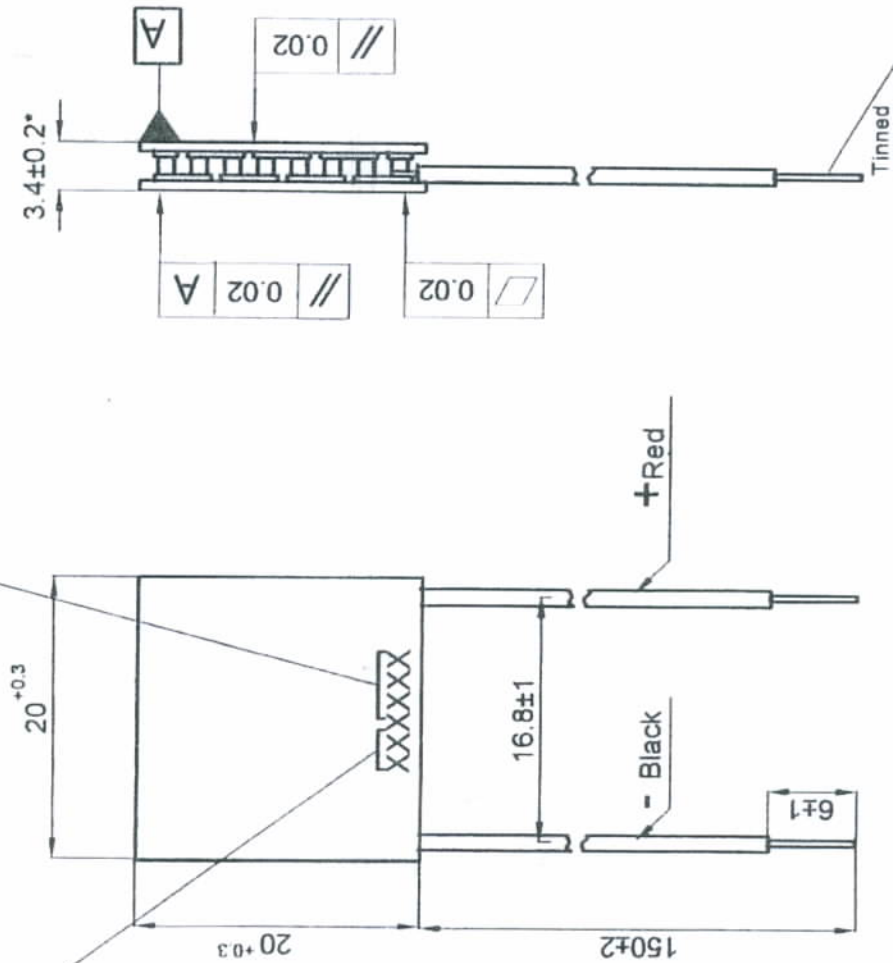


First two digits is a spec. code

The rest is a lot #



Technical Data	
V max	3.8 V
Q max	17.3 W
ΔT max	71°
I max	8.5 A
R	0.37 Ohm
Lead wires	20 AWG (0.5mm ²) PVC insulation (+90°C)
Sealing	No Sealing
Ceramics	Al ₂ O ₃ , white 96%
Maximum processing temperature	+170°C
Tolerances for thermal and electrical parameters $\pm 10\%$	
*Close height tolerance ± 0.02 -upon request	

$T_{hot}=27^{\circ}\text{C}$
Vacuum

Thermoelectric module

-31-1.4-8.5 M

Drawing № ND 007.00.00 C-6