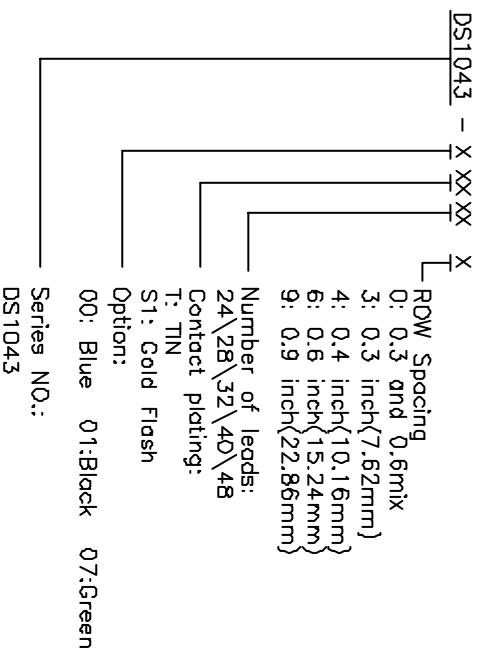
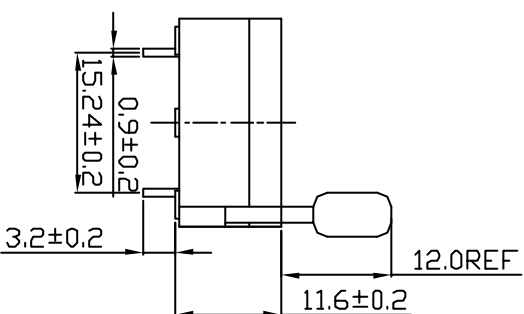
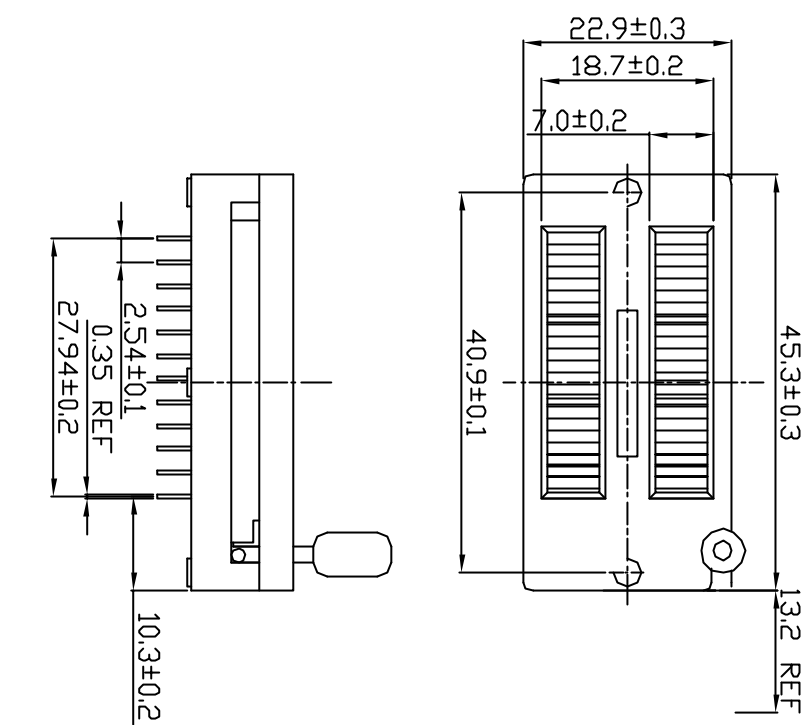


REV.	DESCRIPTION	DRAWN	CHECKED	APPROVED
A	NEW RELEASE	LJH 05/24/05*		

1. PRODUCTS PERFORMANCE:
- 1.0 VOLTAGE RATING: 250V AC.
 - 1.1 CONTACT CURRENT RATING: 1.5A MAX. PER PIN.
 - 1.2 CONTACT RESISTANCE: 20 MILLIOHMS MAX.
 - 1.3 DIELECTRIC WITHSTANDING VOLTAGE: 500V AC(rms) FOR 1 MINUTE.
 - 1.4 INSULATION RESISTANCE: 1000 MEGOHMS MINI.
 - 1.5 OPERATING TEMPERATURE: -20°C~+70°C.
2. PRODUCT NUMBER CODE:



GENERAL TOLERANCE		ANGLE TOLERANCE	
X.	±0.60	X.	±5°
X	±0.38	X	±3°
XX	±0.25	XX	±2°

DRAWING TYPE	CUSTOMER	SHEET	1 OF 1
SCALE	1:1		

DRAWING NO.	C-DST1043-xxxxxx
-------------	------------------

PROJECTION	TITLE
UNITS	ZIF SOCKET
SHEET SIZE	
A4	
SERIES	ZIF SERIES

ZHEN QIN

宁波正青电子有限公司

NINGBO ZHENQIN ELECTRONIC CO., LTD