

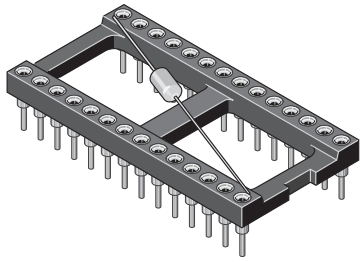
1 | 2,54 mm

# DIL SOCKETS „THROUGH HOLE“

**ID: 005**

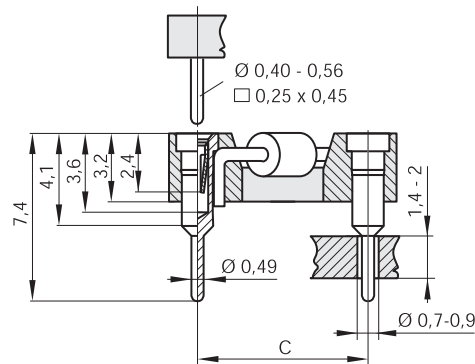
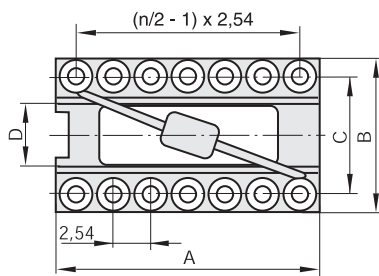
MPQ capacitor socket

Series 104



**TECHNICAL DATA**

Pitch	2,54 mm
Insulating Material	high temp. thermoplast UL94V-0
Contact Material	Brass/BeCu
Rated Current	1 Amp.
Rated Voltage	100 V <sub>RMS</sub> /150 V <sub>DC</sub>
Breakdown Voltage	min. 1000 V <sub>RMS</sub>
Operating Temperature	-55°C bis +125°C
Maximum Soldering Temperature	260°C for 10 seconds



Code	Poles	A	B	C	D
08.3	8	10,08	10,08	7,62	4,00
14.3	14	17,70	10,08	7,62	4,00
16.3	16	20,24	10,08	7,62	4,00
18.3	18	22,78	10,08	7,62	4,00
20.3	20	25,32	10,08	7,62	4,00
22.3	22	27,86	10,08	7,62	4,00
24.3	24	30,48	10,08	7,62	4,00
22.4	22	27,86	12,12	10,16	7,40
24.6	24	30,40	17,70	15,24	11,10
28.6	28	35,48	17,70	15,24	11,10
32.6	32	40,56	17,70	15,24	11,10
40.6	40	50,72	17,70	15,24	11,10

All dimensions in mm.  
Other dimensions upon request.

MPQ XX.Y XX U

Code: see table

- XX: STG B = sleeve: Sn/clip: Au 100nF
- SGG B = sleeve: Au/clip: Au 100nF
- STG B8 = sleeve: Sn/clip: 0,75µm Au 100nF
- STG A5 = height: 3,90 mm / sleeve: Sn / clip: 0,5µm Au 100nF
- 3TG = wire-wrap contact: 3 level, Sleeve: Sn / Clip: Au 100nF
- 3GG = wire-wrap contact: 3 level, Sleeve: Au / Clip: Au 100nF

U: RoHS-compliant with high temp. plastic



preci-dip

WWW.PRECIDIP.COM TEL +41 32 421 04 00 SALES@PRECIDIP.COM

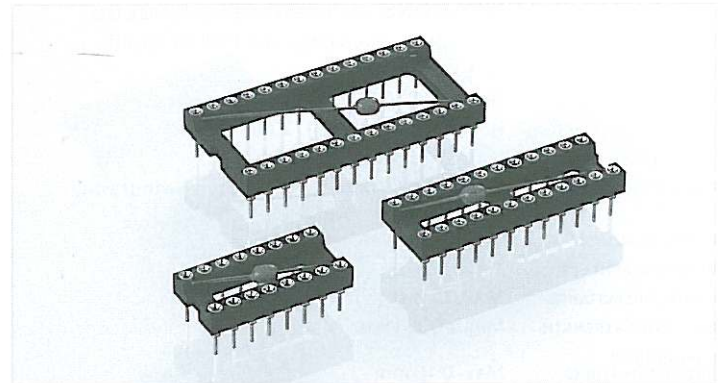
# DUAL-IN-LINE CAPACITOR SOCKETS

OPEN FRAME / SOLDER TAIL

With ceramic multilayer decoupling capacitor 100 nF +80% -20% / 50 V, epoxy encapsulated.

## TECHNICAL SPECIFICATIONS (FOR GENERAL SPECS, SEE PAGE 127)

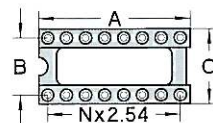
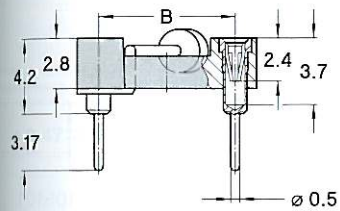
INSULATOR	Black glass filled polyester PCT-GF30-FR
FLAMMABILITY	UL 94V-0
SLEEVE	Brass CuZn36Pb3 (C36000)
CONTACT CLIP (4 FINGER)	Beryllium copper (C17200)
ACCEPTED PIN Ø	0.40 to 0.56 mm
FORCES	2 N typ. insertion                      1 N typ. withdrawal (polished steel gauge Ø 0.43 mm)
MECHANICAL LIFE	Min. 100 cycles
RATED CURRENT	1 A
CONTACT RESISTANCE	Max. 10 mΩ
DIELECTRIC STRENGTH	Min. 1'000 VRMS
TEMPERATURE RANGE	-25°C to +85°C



Other plating on request (see page 178 for plating specs).

## ORDERING INFORMATION ROHS COMPLIANT PARTS

PP PLATING CODE	SLEEVE	CLIP
83	Tin	0.75 µm gold



NO. OF POLES	A	B	C	SEE PAGE 128	ORDER CODES
14	17.7	7.62	10.1	Fig. 7	110-PP-314-41-801101
16	20.3	7.62	10.1	Fig. 8	110-PP-316-41-801101
18	22.8	7.62	10.1	Fig. 9	110-PP-318-41-801101
20	25.3	7.62	10.1	Fig. 10	110-PP-320-41-801101
24	30.5	15.24	17.7	Fig. 20	110-PP-624-41-801101
28	35.5	15.24	17.7	Fig. 21	110-PP-628-41-801101
32	40.6	15.24	17.7	Fig. 22	110-PP-632-41-801101
40	50.8	15.24	17.7	Fig. 24	110-PP-640-41-801101

