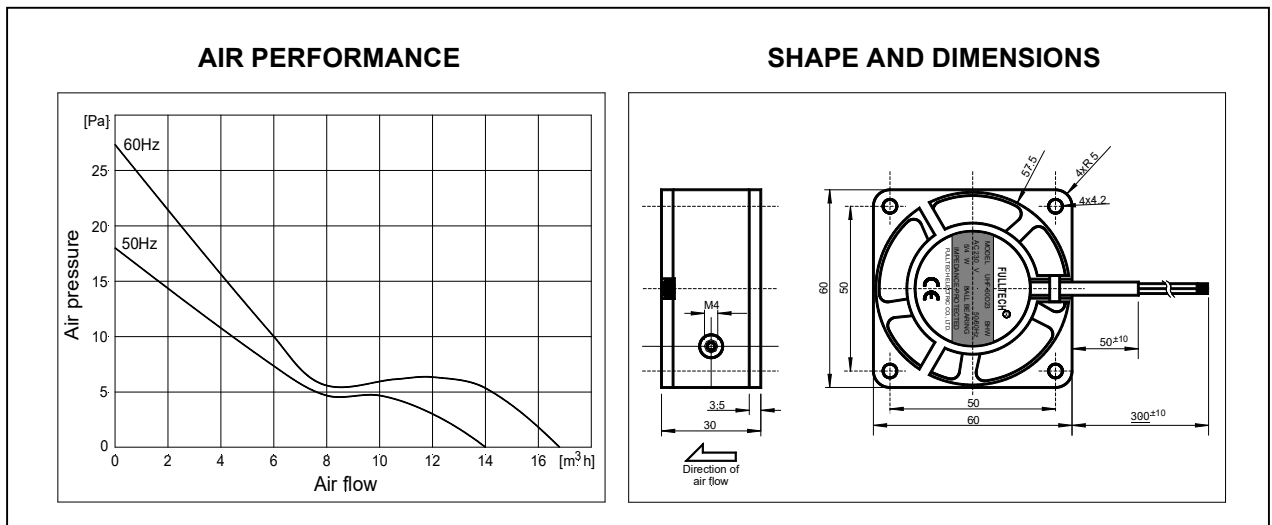


## UF60D Series

### HIGH PERFORMANCE AC-FAN



## PERFORMANCE

<b>CE</b>		<b>UF60D12BHW</b>	<b>UF60D23BHW</b>
Operating voltage	[VAC]	103 ... 115 ... 127	207 ... 230 ... 253
Typ. power input	[W]	4.5	6.0
Max. air flow	[m <sup>3</sup> /h]	17.4	13.8
Max. air pressure	[Pa-mmH <sup>2</sup> O]	27 - 2.8	18 - 1.8
Typ. noise (1m dist. from air intake side)	[dB(A)]	28	27
Typ. rotor speed	[RPM]	3000	2400
Direction of rotation		CW	
Direction of air flow		Over struts	
Operating temperature	[°C]	-40 ... +70	
Life expectancy L10/MTBF@ 40°C	[h]	50000/400000	
Bearing system		2 ball bearings ZZ	
Weight	[g]	100	
Connection		2 lead wires AWG22 UL1007	
Standard packing quantity	[Pcs.]	30-120-480	

This **FULLTECH**<sup>®</sup> AC fan is suitable for industrial use and has a remarkable air flow performance despite its very small dimensions. It is permanently electrically protected against rotor blocking and thermal overloading. Due to the low rotor weight and the precision balancing it has very low vibration and is insensitive to shock.

Further features of this fan are extremely robust and torsionally rigid housing of aluminum, the impeller made from PBT-GV30 (UL94V-0) and ball bearings made from special steel.

**FULLTECH**<sup>®</sup> is the brand name for fans and CPU-cooler, made by Fulltech Electric Co Ltd., TW

Technical changes without notice • 06/20