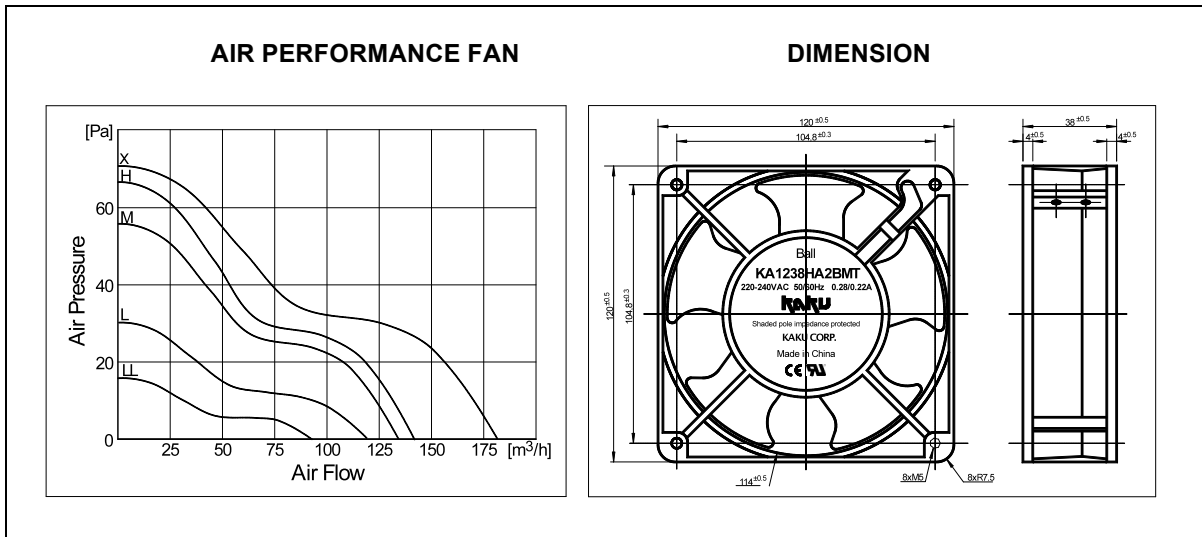


**KA1238xA2xMT/Mg**

**HIGH PERFORMANCE FAN 120x120x38mm**



**PERFORMANCE**

| <b>CE</b>  | <b>KA1238XA2<br/>xMT/Mg</b>                                | <b>KA1238HA<br/>2<br/>xMT/Mg</b> | <b>KA1238MA2<br/>xMT/Mg</b> | <b>KA1238LA2<br/>xMT/Mg</b> | <b>KA1238LLA2<br/>xMT</b> |
|--|--|----------------------------------|-----------------------------|-----------------------------|---------------------------|
| Certification                                    | UL, CE   |                                  |                             |                             |                           |
| Operating Voltage [VAC]                          | 207...230...253 (50Hz)                                     |                                  |                             |                             |                           |
| Typ. Power consumption [W]                       | 23   | 21                               | 12                          | 9                           | 10                        |
| Max. Air flow [m³/h]                             | 178  | 142                              | 132                         | 119                         | 85                        |
| Max. Pressure [Pa]                               | 70   | 65                               | 57                          | 32                          | 15                        |
| Typ. noise @ 1m [dB(A)]                          | 45   | 45                               | 41                          | 39                          | 36                        |
| Operating temp. sleeve bearing (S) [°C]          | -10 ... +60  |                                  |                             |                             |                           |
| Operating temp. ball bearing (B) [°C]            | -40 ... +80  |                                  |                             |                             |                           |
| Direction of rotation                            | CW   |                                  |                             |                             |                           |
| Direction of air flow                            | Blowing over struts  |                                  |                             |                             |                           |
| Life expectancy L <sub>10</sub> /MTTF @ 40°C [h] | Ball bearing: 40000/120000 – Sleeve bearing<br>30000/90000 |                                  |                             |                             |                           |
| Typ. rotor speed [min <sup>-1</sup> ]            | 2500   | 2700                             | 2400                        | 1150                        | 1850                      |
| Bearing system                                   | S= Sleeve bearing / B= 2 Ball bearing ZZ                   |                                  |                             |                             |                           |
| Weight [g]                                       | 470  |                                  |                             |                             |                           |
| Connection                                       | 2 flat connectors 2.8x0.5mm (wires on request)             |                                  |                             |                             |                           |
| Packaging Unit [St]                              | 40 - 480   |                                  |                             |                             |                           |

This **KAKU<sup>®</sup>** AC-fan is suitable for industrial use and has a remarkable air flow performance. Due to the linear air performance characteristic, the fan is applicable for different use. It is permanently protected electrically against reverse polarity, blocking and thermal overloading. Due to the low rotor weight and precision balancing, it is virtually vibration-free. It is also insensitive to shock.

Further features of this fan are its extremely robust and torsionally rigid housing made from aluminium alloy, rotor of PBT-GV30 (UL94V-0) or magnesium die-cast and ball bearings made from special steel (B).

Technical changes without notice • 01/14