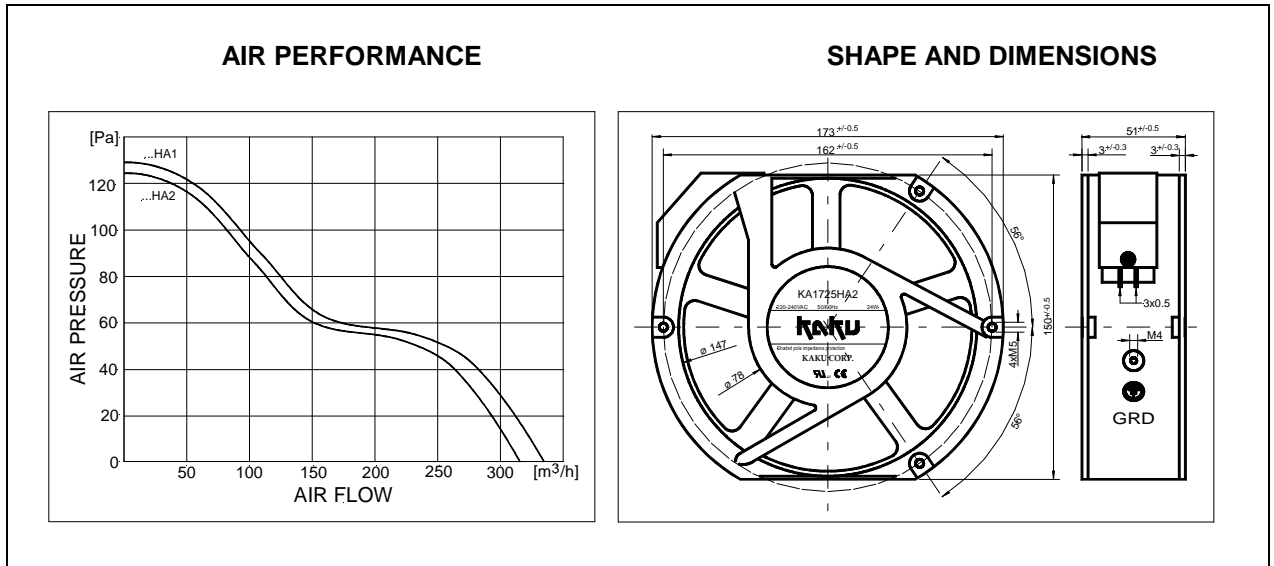


KAKU[®] FAN

KA1725HAxxMT/Mg



HIGH PERFORMANCE FAN 173x150x51mm



PERFORMANCE

CE	KA1725HA1xMT/Mg	KA1725HA2xMT/Mg
Approval	UL, CE	
Operating Voltage [VAC]	100 ... 127 (60Hz)	198 ... 253 (50Hz)
Rated Input [W]	35	32
Max. Air Flow [m³/h]	335	323
Max. Air Pressure [Pa / mmH ₂ O]	129	125
Typ. Noise @ 1m [dB(A)]	62	56
Operating Temp. Sleeve Bearings (S) [°C]	-10 ... +60	
Operating Temp. Ball Bearings (B) [°C]	-40 ... +80 (85)	
Rotating Direction	CW	
Blowing Direction	Over Struts	
Life Expectancy L ₁₀ /MTTF @ 40°C [h]	Sleeve: 30000/90000 - Ball: 40000/120000	
Typ. Rotor Speed [RPM]	2800	2700
Bearing System	S = Sleeve Bearings / B = 2 Ball Bearings ZZ	
Weight [g]	805	
Connection	Flat Terminals (Wires AWG24 on request)	
Packing Quantity [Pcs]	24	

This **KAKU[®]** AC-fan is suitable for industrial use and has remarkable air flow performance despite its small dimensions. Due to a nearly linear air performance characteristic, the fan is applicable for different uses. It is permanently protected electrically against rotor blocking and thermal overloading. Due to the precision balancing, it has very low vibration. It is also intensive to shock.

Further features of this fan are its extremely robust and torsionally rigid metal housing of aluminum, the Impeller made from Magnesium die cast and shielded ball bearings with narrow tolerances, of special steel.