

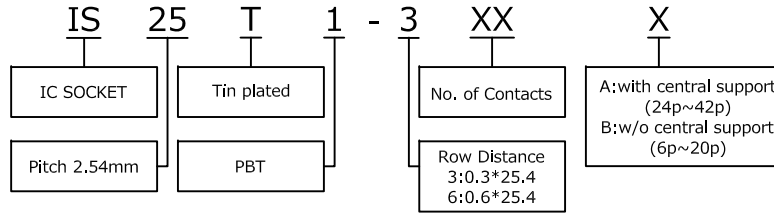
### SPECIFICATIONS

Current Rating: 5Amps  
 Contact Resistance: 20m Ω Max  
 Insulation Resistance: 1000M Ω Min  
 Withstanding Voltage: 500V AC for 1 minute  
 Temperature Range: -20°C to +85°C

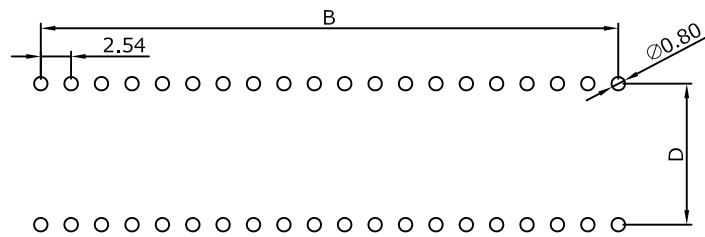
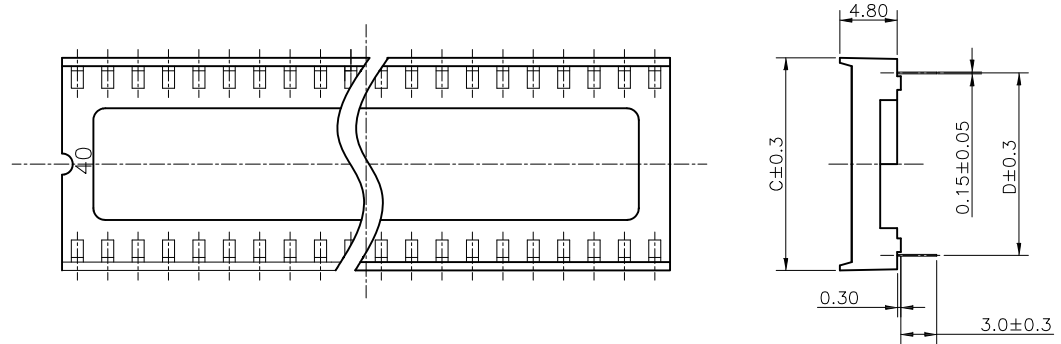
### MATERIAL

Contact: Copper Alloy, Tin plated  
 Insulator: PBT, UL94V-0

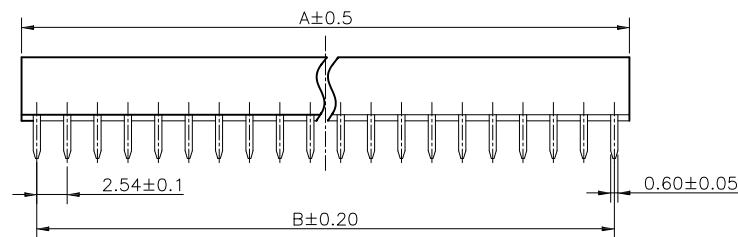
### ORDER INFORMATION



No. of contact	Dimensions			
	A	B	C	D
06	7.62	5.08	10.16	7.62
08	10.16	7.62	10.16	7.62
14	17.78	15.24	10.16	7.62
16	20.32	17.78	10.16	7.62
18	22.86	20.32	10.16	7.62
20	25.40	22.86	10.16	7.62
24	30.48	27.94	10.16	7.62
24	30.48	27.94	17.78	15.24
28	35.56	33.02	10.16	7.62
28	35.56	33.02	17.78	15.24
32	40.64	38.10	17.78	15.24
40	50.80	48.26	17.78	15.24
42	53.34	51.00	17.78	15.24



RECOMMENDED P.C.B. LAYOUT



TITLE: IC Socket Pitch 2.54mm		PART NO.		IS25T1-XXXX		DRAWN		Andrew	
		DRAWING NO.		IS25T1-XXXX		CHECKED		Claudia	
		DATE		2013/09/25		APPROVED		Brian	
REV. A0		TOLERANCE		.X ±0.25 .XX ±0.20		SCALE		1:1	
						UNIT		mm	
						NO.		Drawing updated & layout added	
								2020/6/1	
								DESCRIPTION	
								DATE	