

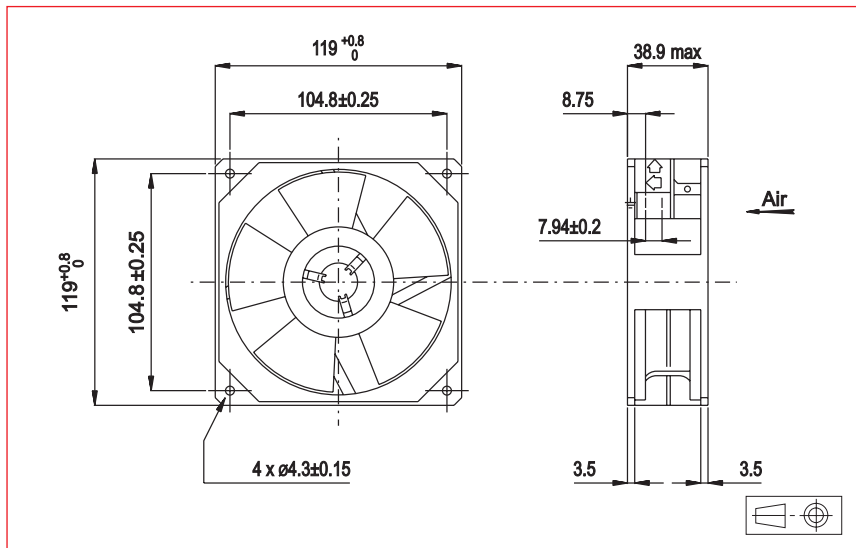
4,724" x 4,724" x 1,496"

120 x 120 x 38 mm

Series  
125

**ETRI**

AC Axial Fans



Approvals



AC Motor

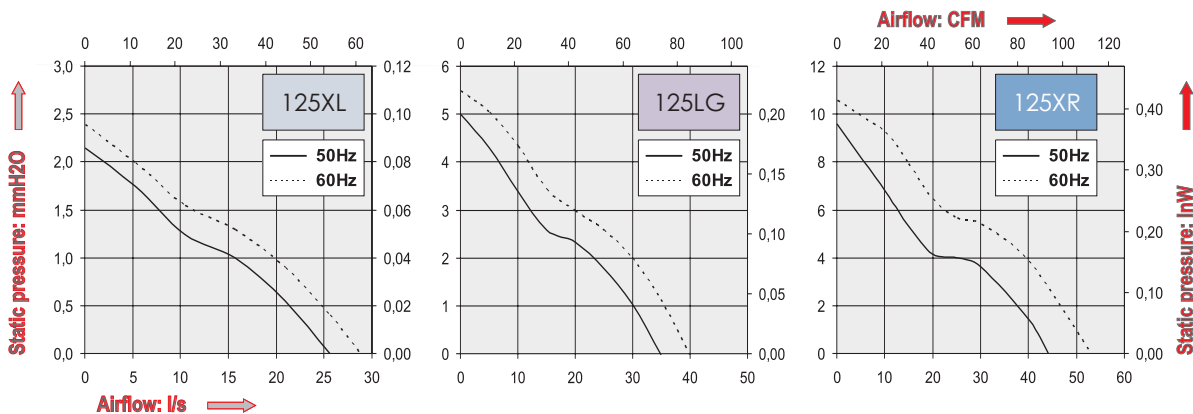
Electrical protection: impedance protected  
Housing material: zamak  
Impeller material: plastic UL 94 VO  
Weight: 725 g  
Bearing system: ball bearings

Available with:

- Flying leads
- Speed sensor

Life expectancy

L-10 LIFE AT 40°C:  
80 000 hours



Part Number	Nominal voltage	Airflow	Noise level	Nominal speed	Frequency	Phases	Capacitor	Input Power	Nominal current	Starting current	Connection type		Operating temperature	
	V										l/s	dB(A)	RPM	Hz
125XL0182000	115	25	30	1600	50	1		12	135	145	X	X	-10	70
		27	32	1750	60	1		10	115	125	X	X	-10	70
125XL0181000	208-240	25	30	1600	50	1		12	75	90	X	X	-10	70
		27	32	1750	60	1		10	65	75	X	X	-10	70
125LG0182000	115	35	38	2200	50	1		16	200	260	X	X	-10	70
		40	40,5	2500	60	1		13	160	120	X	X	-10	70
125LG0181000	208-240	35	38	2200	50	1		18	110	140	X	X	-10	70
		40	40,5	2500	60	1		15	90	120	X	X	-10	70
125XR0182000	115	44	44	2800	50	1		16	200	310	X	X	-10	70
		53	48	3200	60	1		15	180	260	X	X	-10	70
125XR0181000	208-240	44	44	2500	50	1		18	125	170	X	X	-10	70
		53	48	3200	60	1		15	105	150	X	X	-10	70

Additional versions:

Dual voltage 115V - 230V - other weight: 560g - aluminium housing - salt spray protected - shock and vibration protected - marine specifications - wide temperature range - IP54: consult factory

Accessories:

Refer to Accessories leaflet