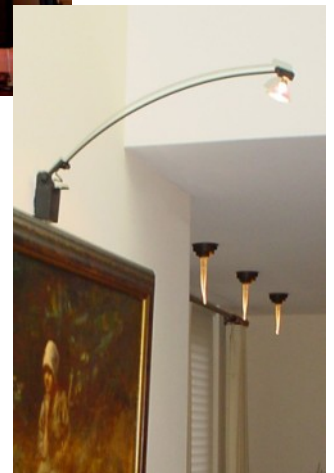
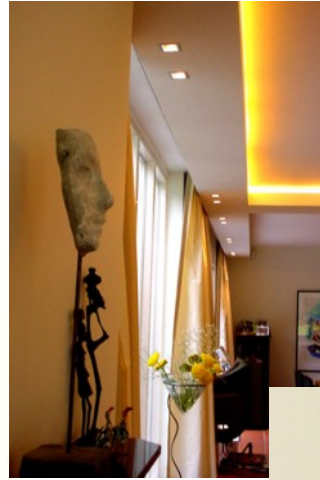
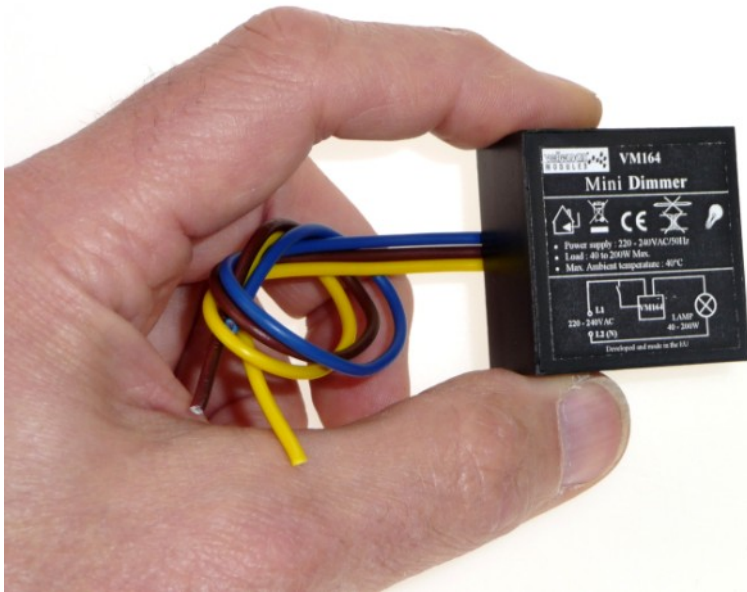


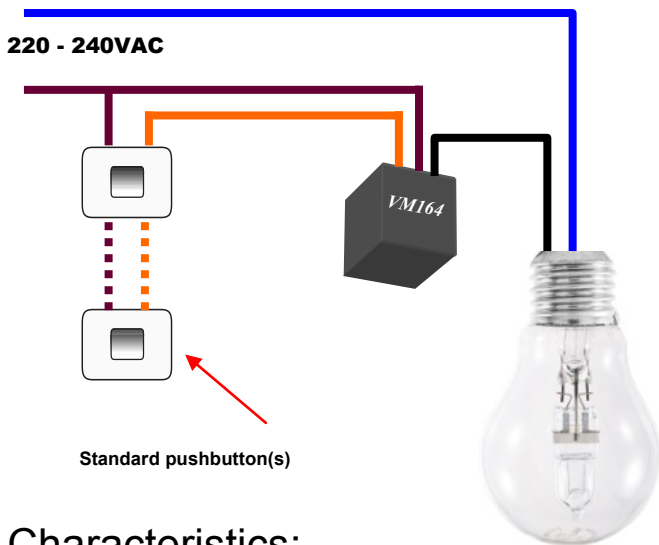


Mini DIMMER with pushbutton control

VM164



wiring diagram



"This mini dimmer fits easily into your existing electrical wiring. Just put in series and add one or more pushbuttons and you are set"

Characteristics:

- ☑ Microcontroller circuit, fit for incandescent lamps, mains halogen lamps and the new energy saver halogen lamps.
- ☑ Install the module in the (existing) lighting circuit, just add one or more pushbuttons.
- ☑ Soft-start function prolonging the lamps' lifespan.
- ☑ Installs behind switch, sealing, inside lamp fixture...

Specifications:

- Power supply: 220-240V AC (50Hz)
- Load: 40 to 200W max.
- Dimming speed (0 -> max.): 5 sec
- Dimensions: 40 x 40 x 20 mm.
- Total weight: +/- 70 gr.
- Radio and TV interference suppression
- Max. ambient temperature: 40°C

